

## User Manual

Revision 1.001  
English

### **BACnet/IP / BACnet MSTP – Converter/Router**

(Order Code: HD67686-A1 , HD67686-B2)

For Website information:

[www.adfweb.com?Product=HD67686](http://www.adfweb.com?Product=HD67686)

For Price information:

[www.adfweb.com?Price=HD67686-A1](http://www.adfweb.com?Price=HD67686-A1)

[www.adfweb.com?Price=HD67686-B2](http://www.adfweb.com?Price=HD67686-B2)

#### **Benefits and Main Features:**

- ⊕ Very easy to configure
- ⊕ Triple Electrical isolation
- ⊕ Temperature range: -40°C/+85°C (-40°F/+185°F)



HD67686-A1



HD67686-B2

For other BACnet products see also the following link:

#### **Converter BACnet Master to**

[www.adfweb.com?Product=HD67712](http://www.adfweb.com?Product=HD67712)  
[www.adfweb.com?Product=HD67714](http://www.adfweb.com?Product=HD67714)  
[www.adfweb.com?Product=HD67716](http://www.adfweb.com?Product=HD67716)  
[www.adfweb.com?Product=HD67717](http://www.adfweb.com?Product=HD67717)  
[www.adfweb.com?Product=HD67718](http://www.adfweb.com?Product=HD67718)  
[www.adfweb.com?Product=HD67719](http://www.adfweb.com?Product=HD67719)  
[www.adfweb.com?Product=HD67721](http://www.adfweb.com?Product=HD67721)  
[www.adfweb.com?Product=HD67723](http://www.adfweb.com?Product=HD67723)  
[www.adfweb.com?Product=HD67725](http://www.adfweb.com?Product=HD67725)

**(Modbus Slave)**  
**(Modbus TCP Slave)**  
**(PROFIBUS Slave)**  
**(CAN)**  
**(CANopen)**  
**(PROFINET)**  
**(DeviceNet Slave)**  
**(NMEA 2000)**  
**(J1939)**

Do you have your customer protocol? Then go to:

[www.adfweb.com?Product=HD67003](http://www.adfweb.com?Product=HD67003)

Do you need to choose a device? Do you want help?

[www.adfweb.com?Cmd=helpme](http://www.adfweb.com?Cmd=helpme)

**INDEX:**

	Page
INDEX	2
UPDATED DOCUMENTATION	2
REVISION LIST	2
WARNING	2
TRADEMARKS	2
SECURITY ALERT	3
EXAMPLE OF CONNECTION	4
CONNECTION SCHEME	5
CHARACTERISTICS	7
CONFIGURATION	7
POWER SUPPLY	8
FUNCTION MODES	9
LEDS	10
RS485	11
ETHERNET	12
USE OF COMPOSITOR SW67686	13
NEW CONFIGURATION / OPEN CONFIGURATION	14
SOFTWARE OPTIONS	15
SET COMMUNICATION	16
UPDATE DEVICE	18
MECHANICAL DIMENSIONS	20
ORDERING INFORMATIONS	21
ACCESSORIES	21
DISCLAIMER	22
OTHER REGULATIONS AND STANDARDS	22
WARRANTIES AND TECHNICAL SUPPORT	23
RETURN POLICY	23

**UPDATED DOCUMENTATION:**

Dear customer, we thank you for your attention and we remind you that you need to check that the following document is:

- Updated
- Related to the product you own

To obtain the most recently updated document, note the “document code” that appears at the top right-hand corner of each page of this document.

With this “Document Code” go to web page [www.adfweb.com/download/](http://www.adfweb.com/download/) and search for the corresponding code on the page. Click on the proper “Document Code” and download the updates.

**REVISION LIST:**

Revision	Date	Author	Chapter	Description
1.000	20/05/2013	Ff	All	First Release
1.001	01/06/2016	Nt	All	Revision

**WARNING:**

ADFweb.com reserves the right to change information in this manual about our product without warning.

ADFweb.com is not responsible for any error this manual may contain.

**TRADEMARKS:**

All trademarks mentioned in this document belong to their respective owners.

**SECURITY ALERT:****GENERAL INFORMATION**

To ensure safe operation, the device must be operated according to the instructions in the manual. When using the device, legal and safety regulation are required for each individual application. The same applies also when using accessories.

**INTENDED USE**

Machines and systems must be designed so the faulty conditions do not lead to a dangerous situation for the operator (i.e. independent limit switches, mechanical interlocks, etc.).

**QUALIFIED PERSONNEL**

The device can be used only by qualified personnel, strictly in accordance with the specifications. Qualified personnel are persons who are familiar with the installation, assembly, commissioning and operation of this equipment and who have appropriate qualifications for their job.

**RESIDUAL RISKS**

The device is state-of-the-art and is safe. The instruments can represent a potential hazard if they are inappropriately installed and operated by untrained personnel. These instructions refer to residual risks with the following symbol:

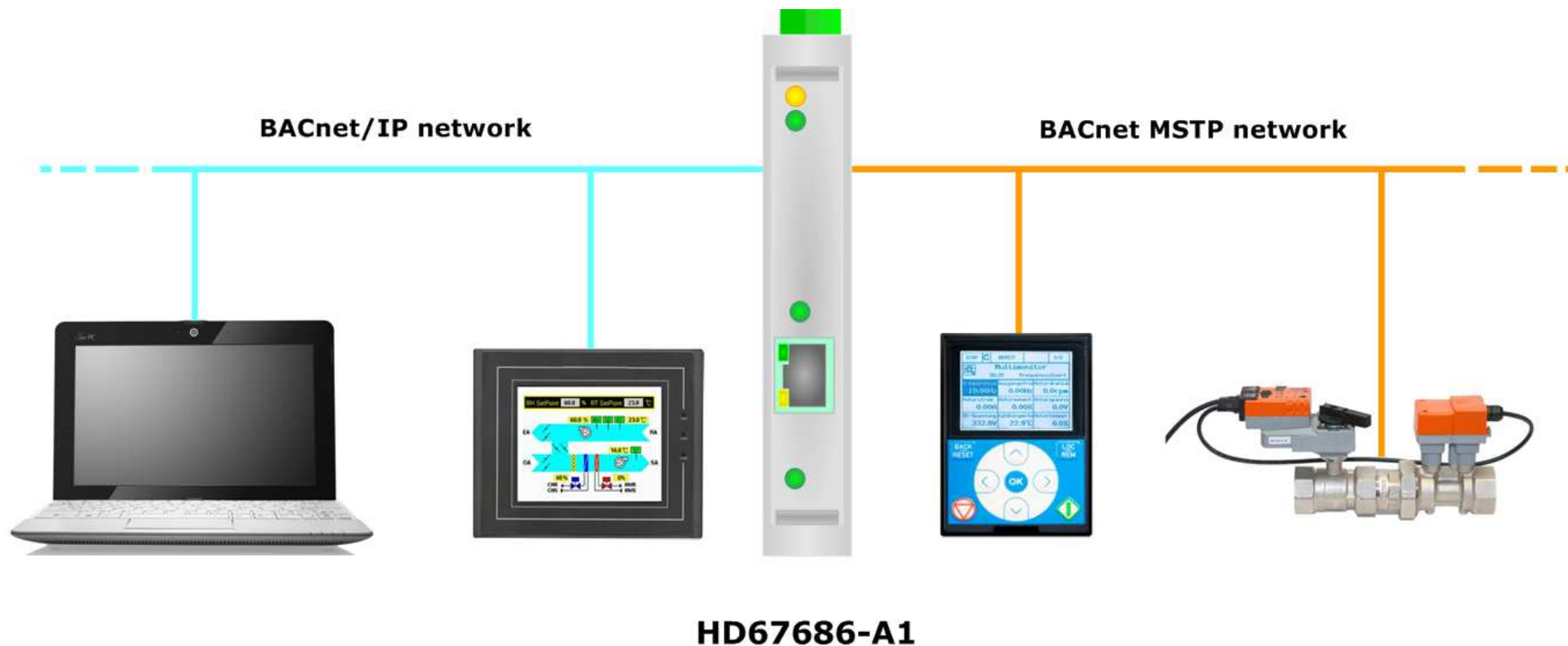


This symbol indicates that non-observance of the safety instructions is a danger for people that could lead to serious injury or death and / or the possibility of damage.

**CE CONFORMITY**

The declaration is made by our company. You can send an email to [support@adfweb.com](mailto:support@adfweb.com) or give us a call if you need it.

**EXAMPLES OF CONNECTION:**



**CONNECTION SCHEME:**

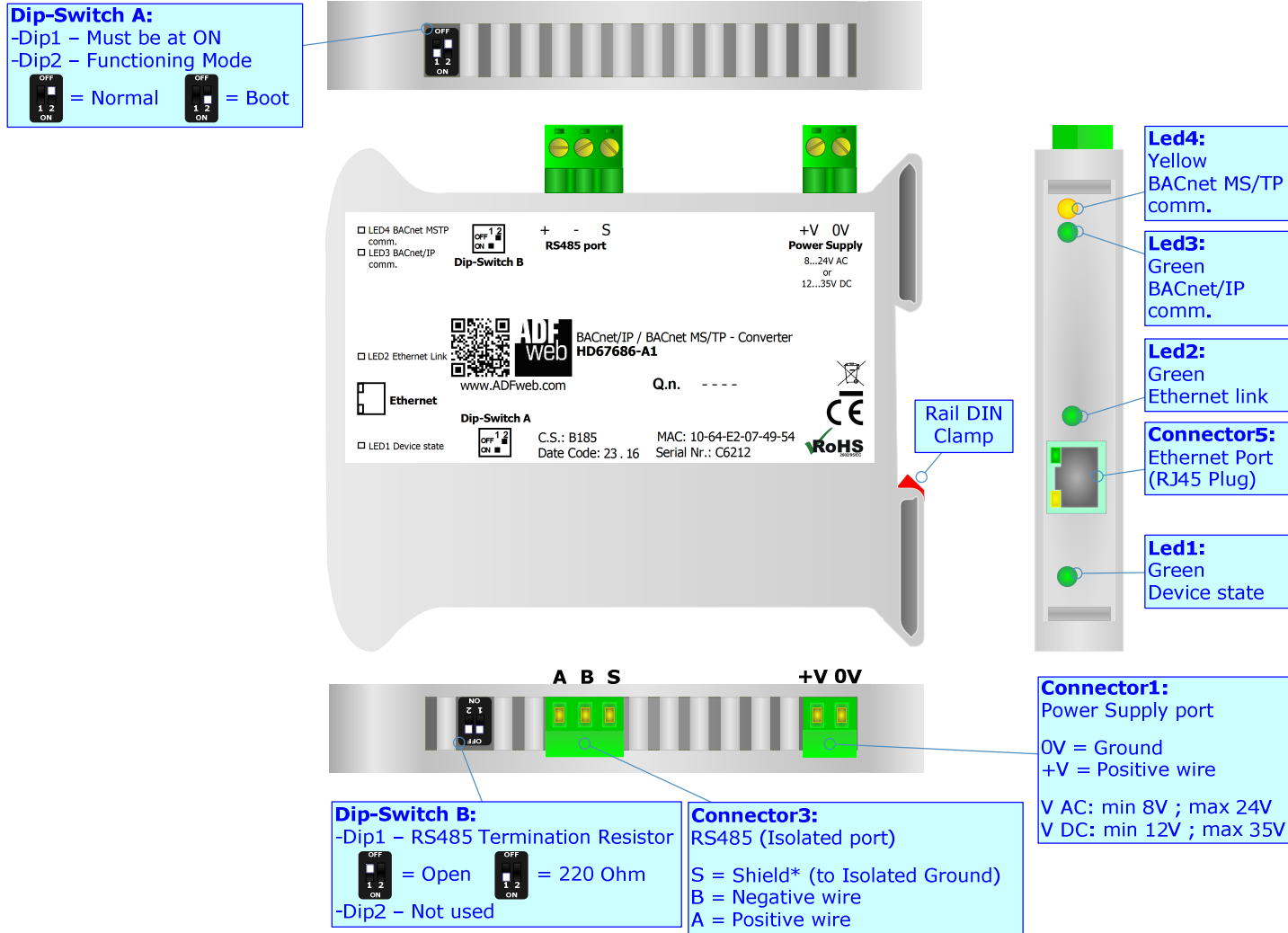


Figure 1a: Connection scheme for HD67686-A1

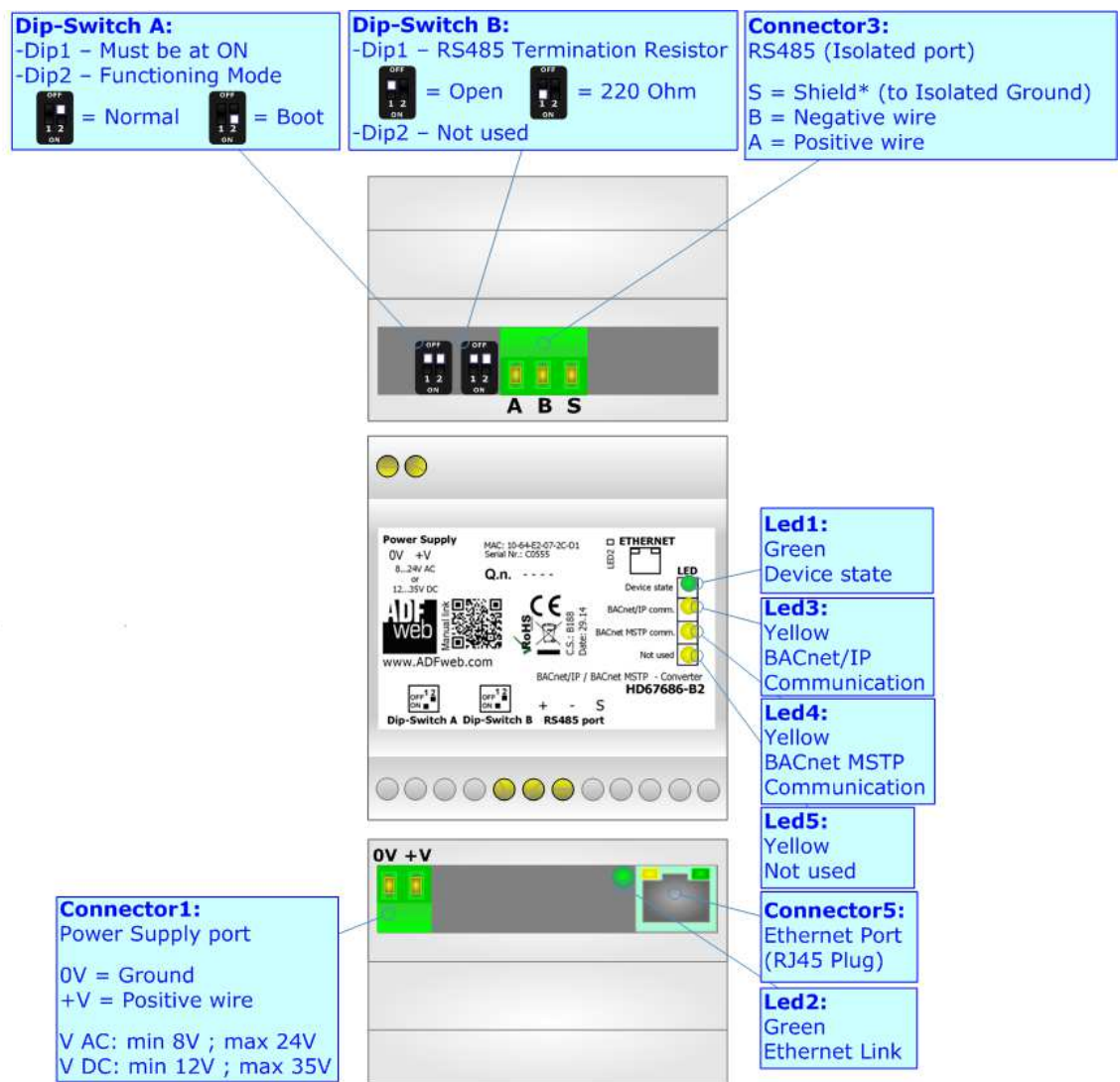


Figure 1b: Connection scheme for HD67686-B2

**CHARACTERISTICS:**

The HD67686-A1 and the HD67686-B2 are BACnet/IP / BACnet MSTP Converters.

It allows for the following characteristics:

- Router function;
- Completely transparent converter from BACnet/IP to BACnet MSTP and vice versa;
- Triple isolation between RS485 - Power Supply, RS485 - Ethernet, Ethernet - Power Supply;
- Two-directional information between BACnet/IP bus and BACnet MSTP bus;
- Mountable on 35mm Rail DIN;
- Wide power supply input range: 8...24V AC or 12...35V DC;
- Wide temperature range: -40°C / 85°C [-40°F / +185°F].

**CONFIGURATION:**

You need Compositor SW67686 software on your PC in order to perform the following:

- Define the parameters of BACnet/IP line;
- Define the parameters of BACnet MSTP line;
- Update the device.

**POWER SUPPLY:**

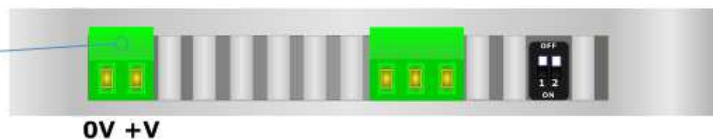
The devices can be powered at 8...24V AC and 12...35V DC. For more details see the two tables below.

VAC		VDC	
Vmin	Vmax	Vmin	Vmax
8V	24V	12V	35V

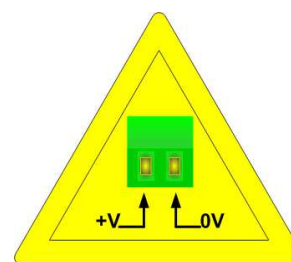
Consumption at 24V DC:

Device	Consumption [W/VA]
HD67686-A1	3.5
HD67686-B2	3.5

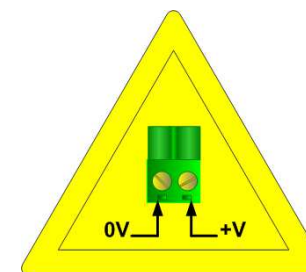
**Connector1:**  
Power Supply port  
0V = Ground  
+V = Positive wire  
V AC: min 8V ; max 24V  
V DC: min 12V ; max 35V



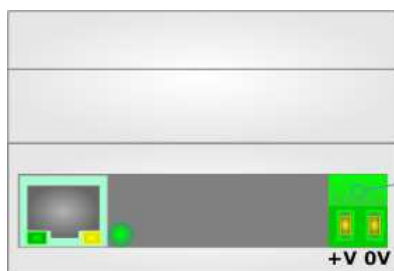
**Caution: Do not reverse the polarity power**



HD67686-B2



HD67686-A1



**Connector1:**  
Power Supply port  
0V = Ground  
+V = Positive wire  
V AC: min 8V ; max 24V  
V DC: min 12V ; max 35V



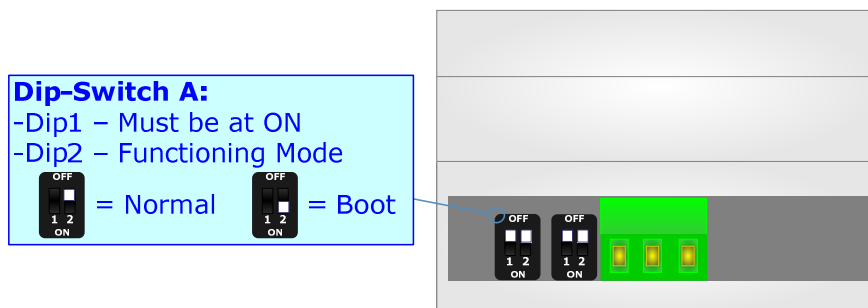
**FUNCTION MODES:**

The device has got two function modes depending on the position of the 'Dip2 of Dip-Switch A':

- The first, with 'Dip2 of Dip-Switch A' at "OFF" position, is used for the normal working of the device.
- The second, with 'Dip2 of Dip-Switch A' at "ON" position, is used for uploading the Project and/or Firmware.

For the operations to follow for the updating, see 'UPDATE DEVICE' section.

According to the functioning mode, the LEDs will have specific functions, see 'LEDS' section.



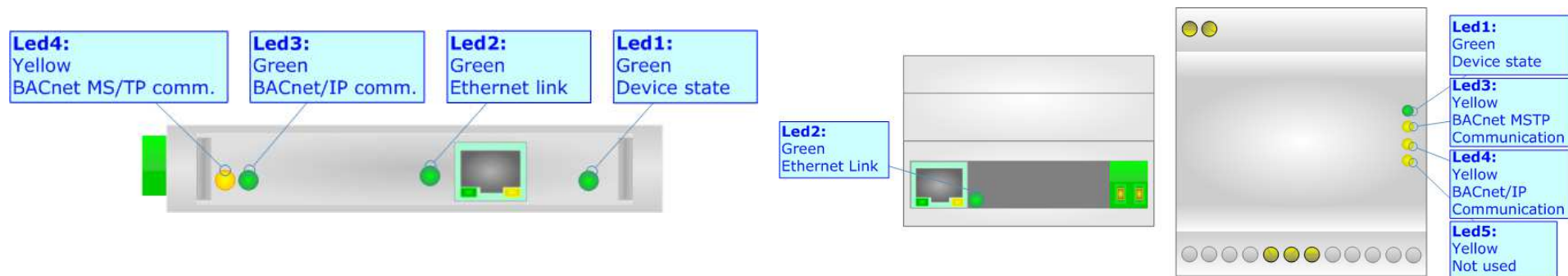
**Warning:**

Dip1 of 'Dip-Switch A' must be at ON position to work even if the Ethernet cable is not inserted.

**LEDS:**

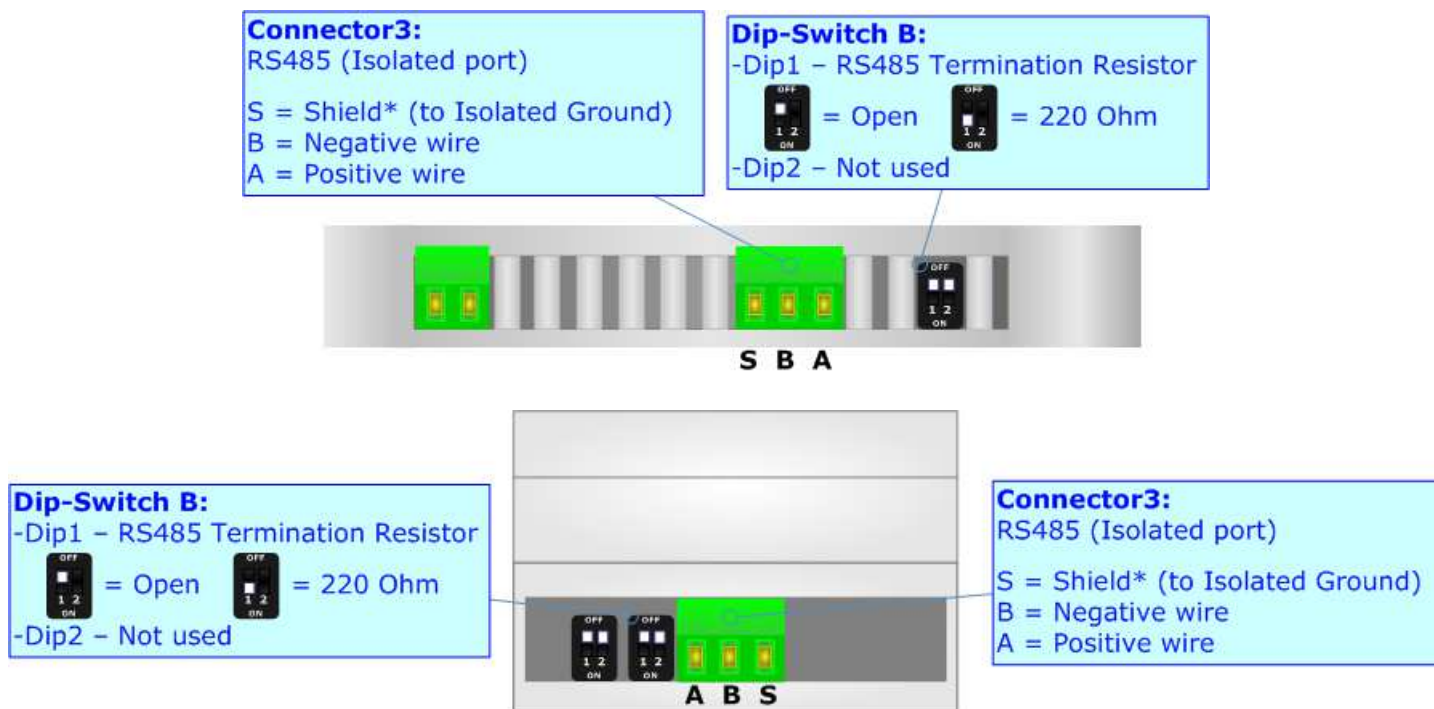
The device has got four LEDs (five for the HD67686-B2) that are used to give information about the functioning status. The various meanings of the LEDs are described in the table below.

LED	Normal Mode	Boot Mode
1: Device State (green)	Blinks slowly (~1Hz)	<b>ON:</b> Device powered <b>OFF:</b> Device not powered
2: Ethernet Link (green)	<b>ON:</b> Ethernet cable connected <b>OFF:</b> Ethernet cable disconnected	<b>Blinks quickly:</b> Boot state <b>Blinks very slowly (~0.5Hz):</b> update in progress
3: BACnet MSTP comm. (green)	Blinks when BACnet MSTP data (RS485) are received	<b>Blinks quickly:</b> Boot state <b>Blinks very slowly (~0.5Hz):</b> update in progress
4: BACnet/IP comm. (yellow)	Blinks when BACnet/IP data (Ethernet) are received	<b>Blinks quickly:</b> Boot state <b>Blinks very slowly (~0.5Hz):</b> update in progress
5: Not Used	OFF	<b>Blinks quickly:</b> Boot state <b>Blinks very slowly (~0.5Hz):</b> update in progress



**RS485:**

To terminate the RS485 line with a 220Ω resistor it is necessary to put ON dip 1, like in figure.



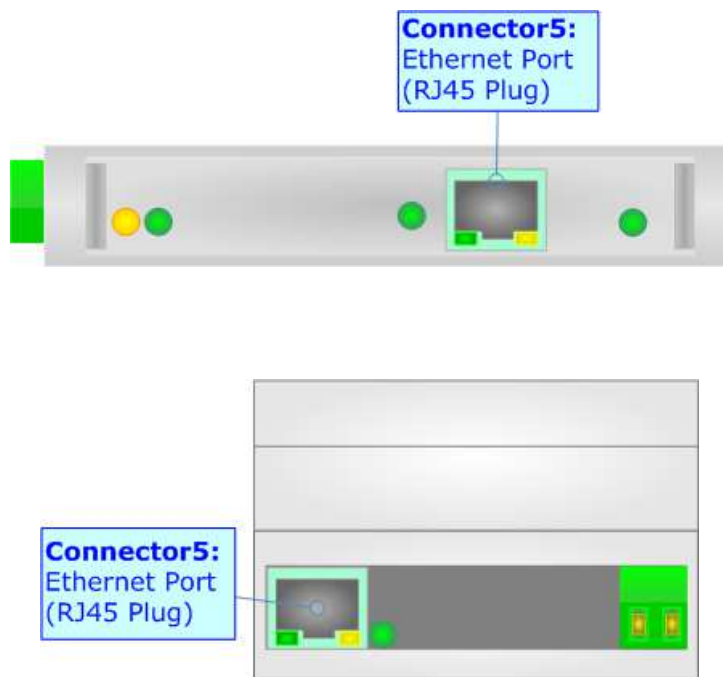
The maximum length of the cable should be 1200m (4000 feet).

Here some codes of cables:

- Belden: p/n 8132 - 2x 28AWG stranded twisted pairs conductor + foil shield + braid shield;
- Belden: p/n 82842 - 2x 24AWG stranded twisted pairs conductor + foil shield + braid shield;
- Tasker: p/n C521 - 1x 24AWG twisted pair conductor + foil shield + braid shield;
- Tasker: p/n C522 - 2x 24AWG twisted pairs conductor + foil shield + braid shield.

**ETHERNET:**

The BACnet/IP connection and the updating of the converters must be made using Connector5 of HD67686 with at least a Category 5E cable. The maximum length of the cable should not exceed 100m. The cable has to conform to the T568 norms relative to connections in cat.5 up to 100 Mbps. To connect the device to an Hub/Switch is recommended the use of a straight cable, to connect the device to a PC/PLC/other is recommended the use of a cross cable.



**USE OF COMPOSITOR SW67686:**

To configure the Converter, use the available software that runs with Windows called SW67686. It is downloadable on the site [www.adfweb.com](http://www.adfweb.com) and its operation is described in this document. *(This manual is referenced to the last version of the software present on our web site).* The software works with MSWindows (XP, Vista, Seven, 8; 32/64bit).

When launching the SW67686, the window below appears (Fig. 2).

**Note:**

It is necessary to have installed .Net Framework 4.



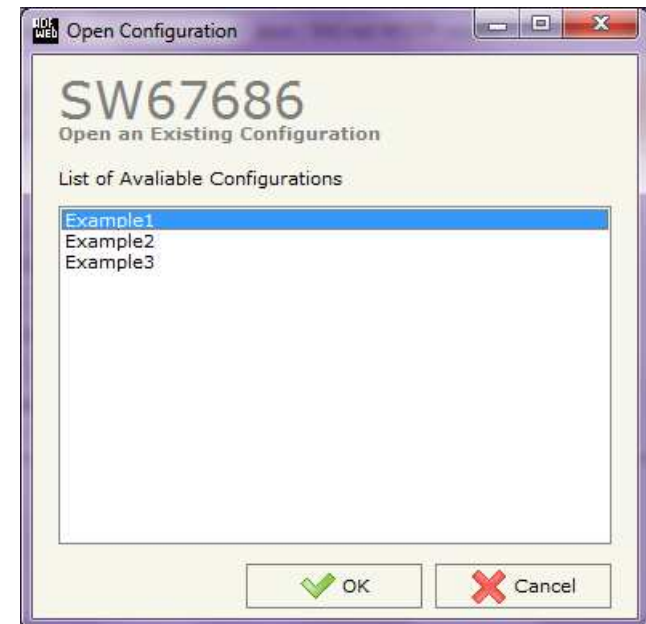
**NEW CONFIGURATION / OPEN CONFIGURATION:**

The “**New Configuration**” button creates the folder which contains the entire device’s configuration.




A device’s configuration can also be imported or exported:

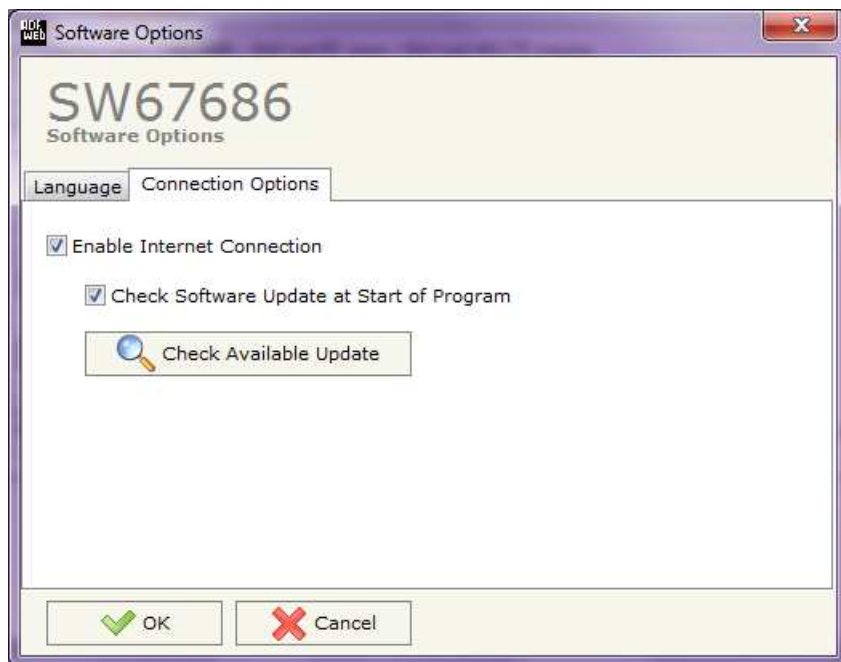
- To clone the configurations of a programmable “BACnet/IP / BACnet MSTP - Converter” in order to configure another device in the same manner, it is necessary to maintain the folder and all its contents;
- To clone a project in order to obtain a different version of the project, it is sufficient to duplicate the project folder with another name and open the new folder with the button “**Open Configuration**”.



### SOFTWARE OPTIONS:

By pressing the “**Settings**” () button there is the possibility to change the language of the software and check the updatings for the compositor.

In the section “Language” it is possible to change the language of the software.



In the section “Connection Options”, it is possible to check if there are some updatings of the software compositor in ADFweb.com website. Checking the option “**Check Software Update at Start of Program**”, the SW67686 check automatically if there are updatings when it is launched.

## SET COMMUNICATION:

This section define the fundamental communication parameters of two buses, BACnet/IP and BACnet MSTP.

By Pressing the **"Set Communication"** button from the main window for SW67686 (Fig. 2) the window "Set Communication" appears (Fig. 3).

The means of the fields for "BACnet/IP" are:

- In the fields **"IP ADDRESS"** insert the IP address that you want to give to the Converter;
- In the fields **"SUBNET Mask"** insert the SubNet Mask;
- In the fields **"GATEWAY"** insert the default gateway that you want to use. This feature can be enabled or disabled pressing the Check Box field. This feature is used for going out of the net;
- In the field **"Port"** the port number used for BACnet communication is defined. The default port used for BACnet communication is 47808, but is possible to insert any value (except 10000 and 10001);
- In the field **"BACnet Device Name"** is possible to assign a name to the BACnet node;
- In the field **"Device Instance"** is possible to assign a number to the BACnet node;
- In the field **"BACnet/IP Network"** is possible to define the number of the BACnet/IP network.

The means of the fields for the "BACnet MS/TP" section are:

- In the field **"Baudrate"** it is possible to select the baudrate of the BACnet line (1200, 2400, 4800, 9600, 19200, 38400, 57600, 115200);
- In the field **"Parity"** it is possible to select the parity of the line (None, Odd, Even);
- In the field **"MAC Address"** is possible to define the MAC of BACnet node (from 0 to 127);
- The field **"Max Master"** specifies the highest allowable address for master nodes. The value shall be less than or equal to 127;
- The field **"Max Info Frames"** specifies the maximum number of information frames the node may send before it must pass the token;
- In the field **"MS/TP Network"** is possible to define the number of the BACnet MS/TP network.

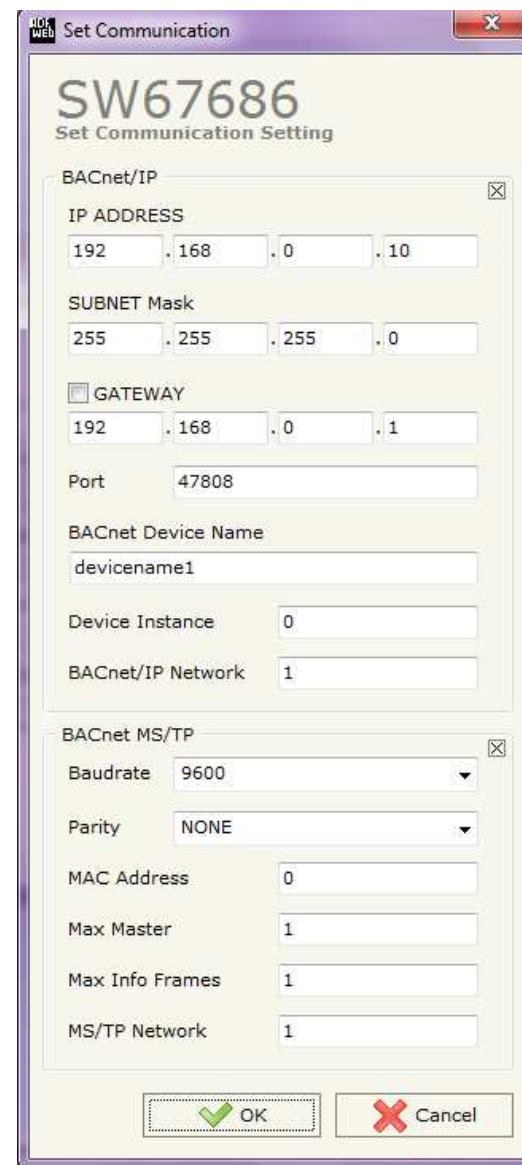


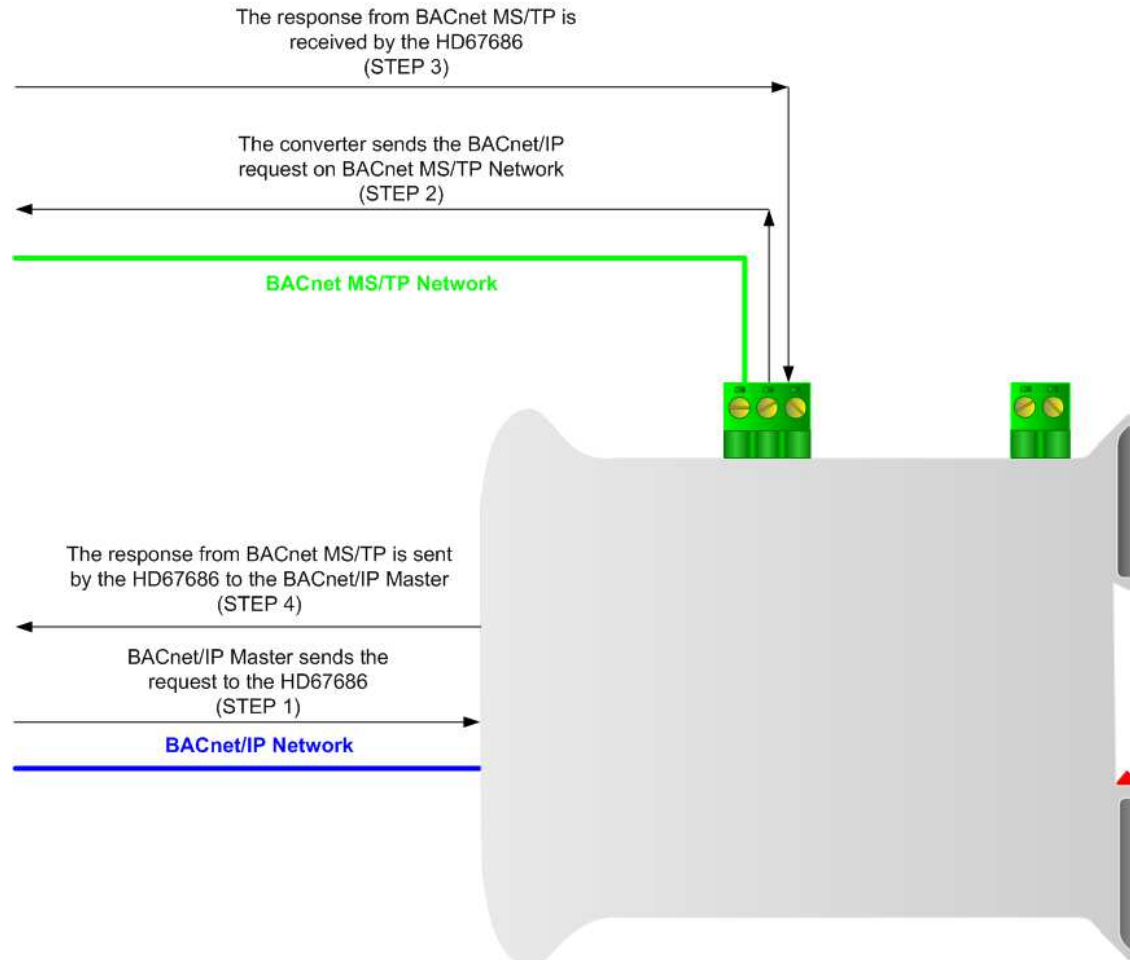
Figure 3: "Set Communication" window



Example:

The HD67686 is completely transparent and it has the functionalities of a BACnet Router.

When a BACnet/IP Master sends a request to the converter, it converts it in BACnet MS/TP. As soon as the BACnet MS/TP slave send the response, the converter converts in BACnet/IP.



### UPDATE DEVICE:

By pressing the **“Update Device”** button, it is possible to load the created Configuration into the device; and also the Firmware, if necessary.

If you don't know the actual IP address of the device you have to use this procedure:

- Turn off the Device;
- Put Dip2 of 'Dip-Switch A' in ON position;
- Turn on the device
- Connect the Ethernet cable;
- Insert the IP **“192.168.2.205”**;
- Press the **“Ping”** button, “Device Found! must appear”;
- Press the **“Next”** button;
- Select which operations you want to do;
- Press the **“Execute update firmware”** button to start the upload;
- When all the operations are “OK” turn off the Device;
- Put Dip2 of 'Dip-Switch A' in OFF position;
- Turn on the device.

At this point the configuration/firmware on the device is correctly updated.

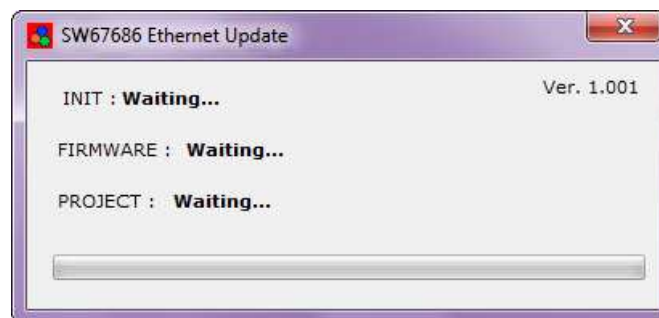


Figure 4: “Update device” windows

If you know the actual IP address of the device, you have to use this procedure:

- Turn on the Device with the Ethernet cable inserted;
- Insert the actual IP of the Converter;
- Press the "**Ping**" button, must appear "Device Found!";
- Press the "**Next**" button;
- Select which operations you want to do;
- Press the "**Execute update firmware**" button to start the upload;
- When all the operations are "OK" the device automatically goes at Normal Mode.

At this point the configuration/firmware on the device is correctly update.



**Note:**

When you install a new version of the software, if it is the first time it is better you do the update of the Firmware in the HD67686 device.



**Note:**

When you receive the device, for the first time, you also have to update the Firmware in the HD67686 device.



**Warning:**

If Fig. 6 appears when you try to do the Update try these points before seeking assistance:

- Try to repeat the operations for the update;
- Try with another PC;
- Try to restart the PC;
- If you are using the program inside a Virtual Machine, try to use it in the main Operating System;
- If you are using Windows Seven or Vista or 8, make sure that you have the administrator privileges;
- Pay attention to the Firewall lock;
- Check the LAN settings.



In the case of HD67686 you have to use the software "SW67686": [www.adfweb.com/download/filefold/SW67686.zip](http://www.adfweb.com/download/filefold/SW67686.zip).



Figure 5: "Protection" window

**MECHANICAL DIMENSIONS:**

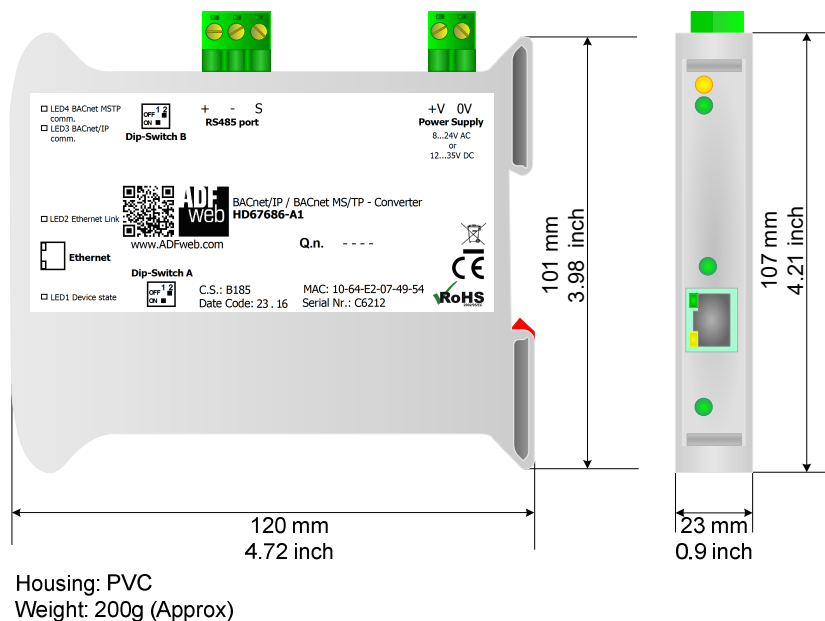


Figure 6a: Mechanical dimensions scheme for HD67686-A1

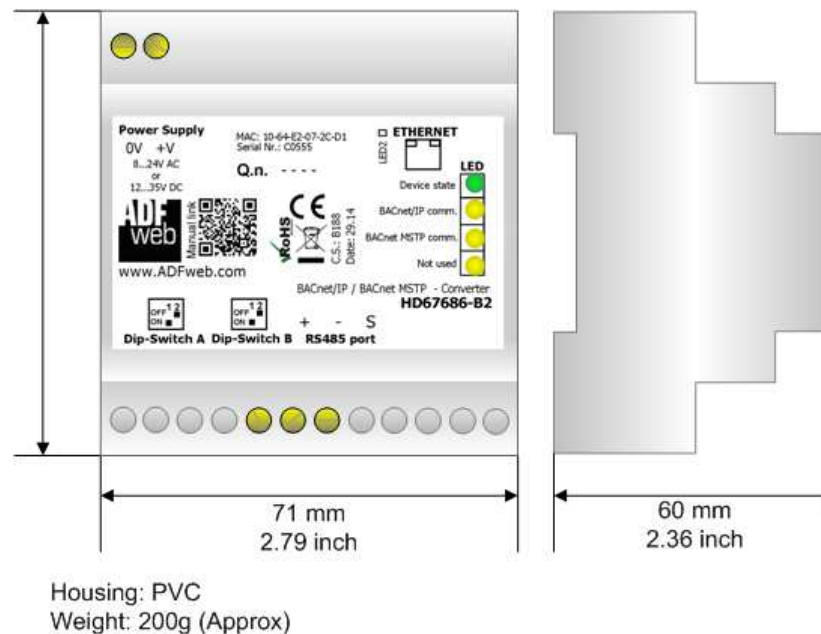
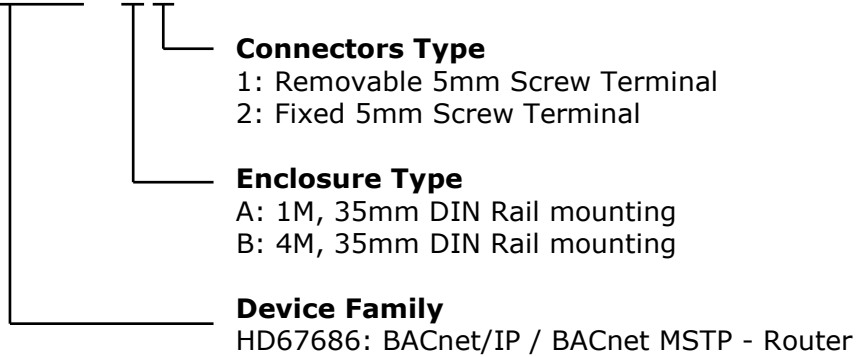


Figure 6b: Mechanical dimensions scheme for HD67686-B2

**ORDERING INFORMATIONS:**

The ordering part number is formed by a valid combination of the following:

**HD67686 - x x**



Order Code: **HD67686-A1** - BACnet/IP / BACnet MSTP - Router

Order Code: **HD67686-B2** - BACnet/IP / BACnet MSTP - Router

**ACCESSORIES:**

Order Code: **AC34001** - 35mm Rail DIN - Power Supply 220/240V AC 50/60Hz - 12 V AC

Order Code: **AC34002** - 35mm Rail DIN - Power Supply 110V AC 50/60Hz - 12 V AC

**DISCLAIMER:**

All technical content within this document can be modified without notice. The content of the document is a under continual renewal. For losses due to fire, earthquake, third party access or other accidents, or intentional or accidental abuse, misuse, or use under abnormal conditions repairs are charged to the user. ADFweb.com S.r.l. will not be liable for accidental loss of use or inability to use this product, such as loss of business income. ADFweb.com S.r.l. shall not be liable for consequences of improper use.

**OTHER REGULATIONS AND STANDARDS:****WEEE INFORMATION**

Disposal of old electrical and electronic equipment (as in the European Union and other European countries with separate collection systems).

— This symbol on the product or on its packaging indicates that this product may not be treated as household rubbish. Instead, it should be taken to an applicable collection point for the recycling of electrical and electronic equipment. If the product is disposed correctly, you will help prevent potential negative environmental factors and impact of human health, which could otherwise be caused by inappropriate disposal. The recycling of materials will help to conserve natural resources. For more information about recycling this product, please contact your local city office, your household waste disposal service or the shop where you purchased the product.

**RESTRICTION OF HAZARDOUS SUBSTANCES DIRECTIVE**

The device respects the 2002/95/EC Directive on the restriction of the use of certain hazardous substances in electrical and electronic equipment (commonly referred to as Restriction of Hazardous Substances Directive or RoHS).

**CE MARKING**

The product conforms with the essential requirements of the applicable EC directives.

**WARRANTIES AND TECHNICAL SUPPORT:**

For fast and easy technical support for your ADFweb.com SRL products, consult our internet support at [www.adfweb.com](http://www.adfweb.com).  
Otherwise contact us at the address [support@adfweb.com](mailto:support@adfweb.com)

**RETURN POLICY:**

If while using your product you have any problem and you wish to exchange or repair it, please do the following:

- Obtain a Product Return Number (PRN) from our internet support at [www.adfweb.com](http://www.adfweb.com). Together with the request, you need to provide detailed information about the problem.
- Send the product to the address provided with the PRN, having prepaid the shipping costs (shipment costs billed to us will not be accepted).

If the product is within the warranty of twelve months, it will be repaired or exchanged and returned within three weeks. If the product is no longer under warranty, you will receive a repair estimate.



**ADFweb.com S.r.l.**  
Via Strada Nuova, 17  
IT-31010 Mareno di Piave  
TREVISO (Italy)  
Phone +39.0438.30.91.31  
Fax +39.0438.49.20.99  
[www.adfweb.com](http://www.adfweb.com)

