

# User Manual

Revision 2.003  
English

## CANopen / DeviceNet Slave - Converter

(Order Code: HD67134)

for Website information:

[www.adfweb.com?Product=HD67134](http://www.adfweb.com?Product=HD67134)

for Price information:

[www.adfweb.com?Price=HD67134](http://www.adfweb.com?Price=HD67134)

### Benefits and Main Features:

- ▶ Very easy to configure
- ▶ Low cost
- ▶ Rail mountable
- ▶ Wide supply input range
- ▶ Galvanic isolation
- ▶ Industrial temperature range:  
-40°C / 85°C (-40°F / 185°F)



HD67134

For others Gateways / Bridges:

#### CANopen to Modbus

See also the following links:

- [www.adfweb.com?Product=HD67001](http://www.adfweb.com?Product=HD67001) (Modbus RTU Master)
- [www.adfweb.com?Product=HD67502](http://www.adfweb.com?Product=HD67502) (Modbus RTU Slave)
- [www.adfweb.com?Product=HD67004](http://www.adfweb.com?Product=HD67004) (Modbus TCP Master)
- [www.adfweb.com?Product=HD67505](http://www.adfweb.com?Product=HD67505) (Modbus TCP Slave)

#### CANopen to CANopen

See also the following link:

[www.adfweb.com?Product=HD67121](http://www.adfweb.com?Product=HD67121)

Do you have an your customer protocol?

See the following link:

[www.adfweb.com?Product=HD67003](http://www.adfweb.com?Product=HD67003)

Do you need to choose a device? do you want help?

Ask it to the following link:

[www.adfweb.com?Cmd=helpme](http://www.adfweb.com?Cmd=helpme)

**INDEX:**

	Page
INDEX	2
UPDATED DOCUMENTATION	2
REVISION LIST	2
WARNING	2
TRADEMARKS	2
SECURITY ALERT	3
CHARACTERISTICS	4
POWER SUPPLY	4
CONNECTION SCHEME	5
COMFIGURATION	7
INTRODUCTION	7
USE OF COMPOSITOR SW67134	7
NEW PROJECT / OPEN PROJECT	8
SET COMMUNICATION	9
SET SDO ACCESS	10
SET PDO ACCESS	12
EDS FILE	13
UPDATE DEVICE	14
CHARACTERISTICS OF THE CABLES	15
CAN BUS CABLE CHARACTERISTICS	15
MECHANICAL DIMENSIONS	16
ORDER CODE	16
ACCESSORIES	16
DISCLAIMER	17
OTHER REGULATIONS AND STANDARDS	17
WARRANTIES AND TECHNICAL SUPPORT	18
RETURN POLICY	18
PRODUCTS AND RELATED DOCUMENTS	18

**UPDATED DOCUMENTATION:**

Dear customer, we thank you for your attention and we remind you that you need to check that the following document is:

- Updated
- Related to the product you own.

To obtain the most recently updated document, note the “document code” that appears at the top right-hand corner of each page of this document.

With this “Document Code” go to web page [www.adfweb.com/download/](http://www.adfweb.com/download/) and search for the corresponding code on the page. Click on the proper “Document Code” and download the update.

To obtain the updated documentation for the product that you own, note the “Document Code” (Abbreviated written “Doc. Code” on the label on the product) and download the updated from our web site [www.adfweb.com/download/](http://www.adfweb.com/download/)

**REVISION LIST:**

Revision	Date	Author	Chapter	Description
1.001	22/06/2007	Av	All	Revision
1.002	26/06/2007	Av	All	Revision
2.000	13/12/2007	Av	All	New document format
2.001	17/10/2008	Fl	All	Change Figure 2
2.002	21/07/2009	MI Dp	All	Revision
2.003	13/02/2013	Nt	All	Added new chapters

**WARNING:**

ADFweb.com reserves the right to change information in this manual about our product without warning. ADFweb.com is not responsible for any error this manual may contain.

**TRADEMARKS:**

All trademarks mentioned in this document belong to their respective owners.

**SECURITY ALERT:****GENERAL INFORMATION**

To ensure safe operation, the device must be operated according to the instructions in the manual. When using the device are required for each individual application, legal and safety regulation. The same applies also when using accessories.

**INTENDED USE**

Machines and systems must be designed so the faulty conditions do not lead to a dangerous situation for the operator (i.e. independent limit switches, mechanical interlocks, etc.).


**QUALIFIED PERSONNEL**

The device can be used only by qualified personnel, strictly in accordance with the specifications.

Qualified personnel are persons who are familiar with the installation, assembly, commissioning and operation of this equipment and who have appropriate qualifications for their job.

**RESIDUAL RISKS**

The device is state of the art and is safe. The instrument can represent a potential hazard if they are inappropriately installed and operated by personnel untrained. These instructions refer to residual risks with the following symbol:

 This symbol indicates that non-observance of the safety instructions is danger for people to serious injury or death and / or the possibility of damage.

**CE CONFORMITY**

The declaration is made by us. You can send an email to [support@adfweb.com](mailto:support@adfweb.com) or give us a call if you need it.

**CHARACTERISTICS:**

The CANopen to DeviceNet Gateway is an electronic device mountable on rail DIN with an autonomous energy supply that allows the following characteristics:

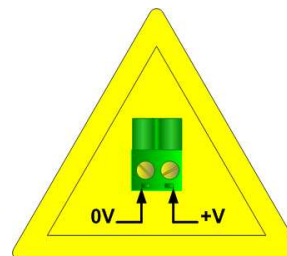
- The two-directional passage of information between a CANopen BUS and a DeviceNet BUS;
- Electrical isolation between two BUSES;
- To read and/or to write of SDO from the DeviceNet;
- To read and/or to write of PDO from the DeviceNet;
- Temperature range -40°C to 85°C.

**POWER SUPPLY:**

Recommended Power Supply	
VDC	VAC
24v	12v

VDC		VAC	
Vmin	Vmax	Vmin	Vmax
10v	35v	10v	19v

**Caution: Not reverse the polarity power .**



HD67134

**CONNECTION SCHEME:**

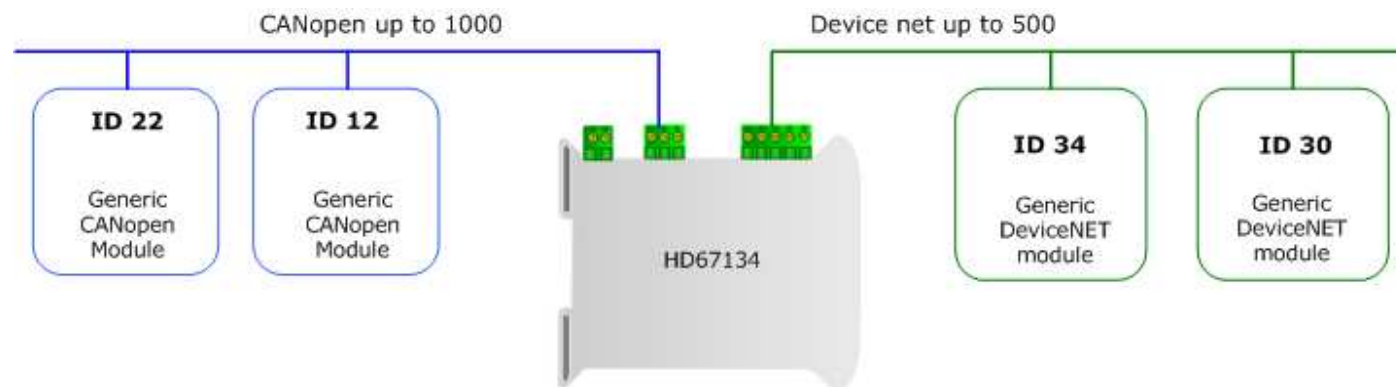


Figure 1: Connection scheme of HD67134 between a CANopen and DeviceNET

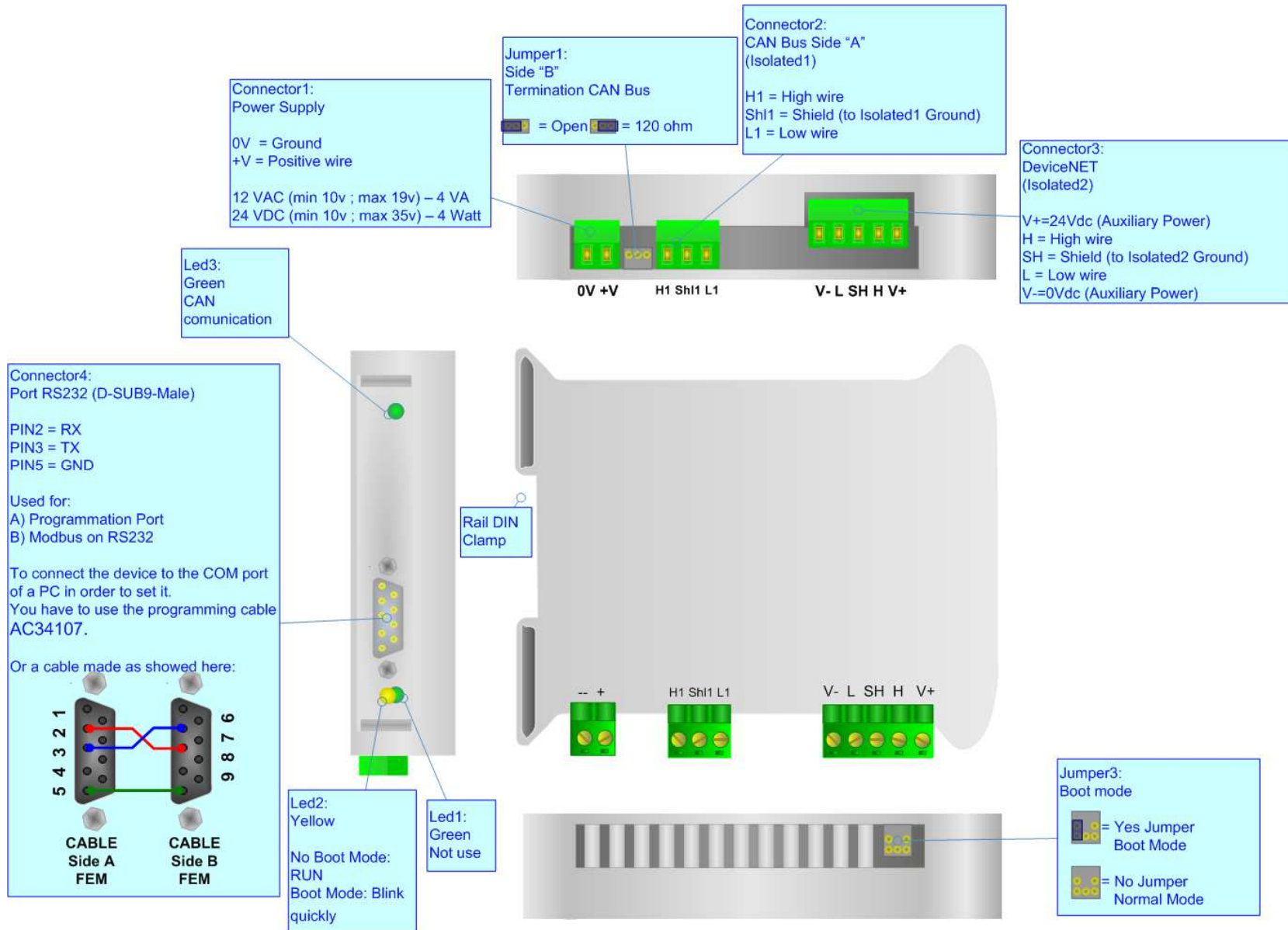


Figure 2: Connection scheme for HD67134

## CONFIGURATION:

To configure the CANopen Gateway, use the available software that runs with Windows, called SW67134. It is downloadable on the site [www.adfweb.com](http://www.adfweb.com) and its operation is described in this document.

The Gateway CANopen to DeviceNet is configured up to a maximum of 32 bytes in reading and 32 bytes in writing.

## INTRODUCTION

The device Configurable Gateway CANopen to DeviceNet, allows a CANopen network to communicate with a DeviceNet network that we simply call CANopen and DeviceNet in this manual.

You need Compositor SW67134 software on your PC in order to perform the following:

- Define the BUS setting;
- Define SDO, in read and write, accessible from DeviceNet;
- Define Transmit and Receive PDO accessible from the DeviceNet;
- Create EDS file for the CANopen side.
- Save, duplicate, modify, and export configurations.

## USE OF COMPOSITOR SW67134:

When launching the SW67134 the following window appears. The SW67134 is downloadable on the site <http://www.adfweb.com/home/download/download.asp> (This manual is referenced to the last version of the software present on our web site).

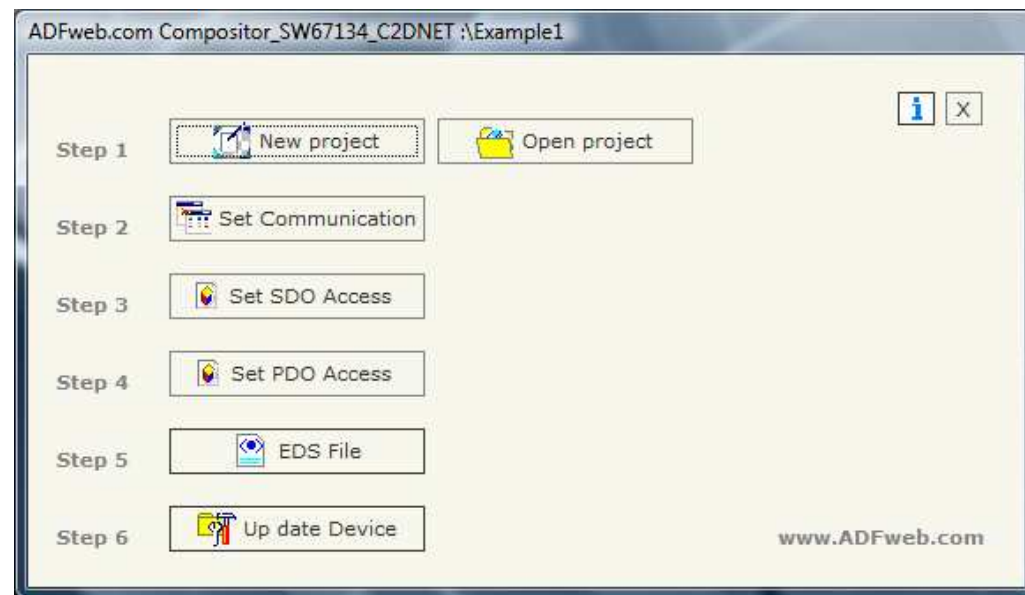


Figure 3: Main window for SW67134

**NEW PROJECT / OPEN PROJECT:**

The “New Project” button creates the folder which contains the entire device configuration. A device configuration can also be imported or exported:

- To clone the configurations of a Programmable CANopen to Modbus Gateway in order to configure another device in the same manner, it is necessary to maintain the folder and all its contents;
- To clone a project in order to obtain a different version of the project, it is sufficient to duplicate the project folder with another name and open the new folder with the button “Open Project”.

When a new project is created or an existent project is open, it will be possible to access the various configuration sections of the software:

- **“Set Communication”;**
- **“Set SDO Access”;**
- **“Set PDO Access”.**



**SET COMMUNICATION:**

This section defines the fundamental communication parameters of two Buses CANopen and DeviceNet.

By pressing the "Set Communication" button from the main window for SW67134 (Fig. 3) the window "Set communication" appears (Fig. 4).

The means of the fields for the "CANopen" section are the following:

- In the "ID Dev." field you define the Gateway address of the CANopen BUS;
- In the "Baud rate" field you define the CANopen BUS baud rate;
- In the "Set Operational State at Start Up" field you define the state of Operational at start-up;
- In the "Network Start at Start Up" field you define a command of start (operational) to all the devices in the CANopen network;
- In the "Delay" field the delay before sending the network command for the CANopen is defined.

The means of the fields for the "DeviceNet" section are the following:

- In the "ID Dev." field you define the Gateway address of the DeviceNet BUS.
- In the "Baud rate" field you define the DeviceNet BUS baud rate.

"SDO Timeout" is the is the maximum time that the device attends for the answer from the Slave interrogated.

The screenshot shows a dialog box titled "SET COMMUNICATION". It contains two main sections: "CANopen" and "DeviceNET".

- CANopen section:**
  - "ID Dev.": Text box containing "10".
  - "Baud rate": Dropdown menu showing "1000K".
  - "Delay": Spin box showing "0", with a range of "0-255 sec.".
- DeviceNET section:**
  - "ID Dev.": Text box containing "54".
  - "Baud rate": Dropdown menu showing "500K".
  - "TimeOut SDO (1/10 ms)": Text box containing "10000".

At the bottom of the dialog are two buttons: "OK" (with a green checkmark icon) and "Cancel" (with a red X icon).

Figure 4: "Set Communication" window

### SET SDO ACCESS:

The following objects can be defined within the "Set SDO Access" section:

- the SDO of the CANopen are accessible from the array of Byte of the DeviceNet.

By pressing the "Set SDO Access" button from the main window for SW67134 (Fig. 3) the "Set SDO Access" window appears (Fig. 5).

The data of the columns have the following meanings:

- In the field "ID Dev" insert the address of the CANopen device which requires the SDO;
- In the field "Index" insert the index of the SDO (coordinated with that SDO);
- In the field "Subindex" insert the subindex of SDO (coordinated with the SDO);
- In the field "nbyte" insert the length of the SDO;
- In the field "Mnemonic" you can insert a brief description of the command.



Figure 5: "Set SDO Access" window

Example 1:

If You want to read the SDO at:

- Address **22**;
- Index **0x3000**;
- Subindex **2**;
- By dimensions **2 byte**;

from a DeviceNet Master, you have to define the SDO like showed in Figure 5. Gateway takes SDO data in the first two bytes of the DeviceNet Array.

The Gateway, in DeveceNet side, is a Slave and in order to read/write the bytes, you can use the following I/O messages:

- Strobe Bit;
- Polling;
- Cyclic;
- COS.

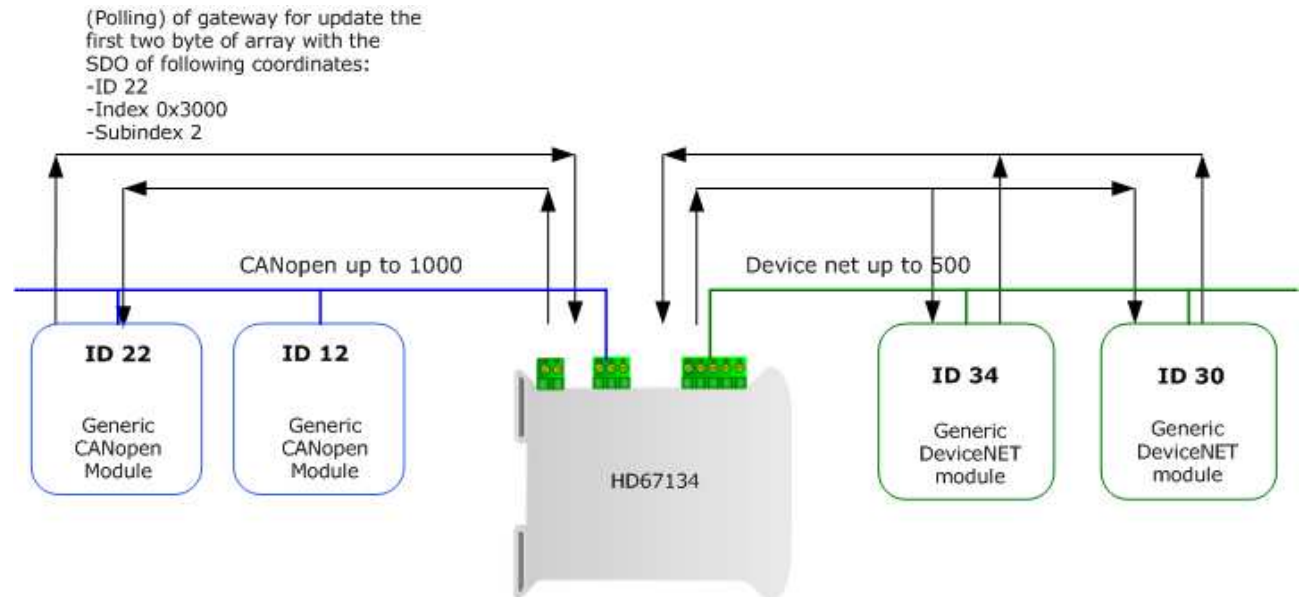


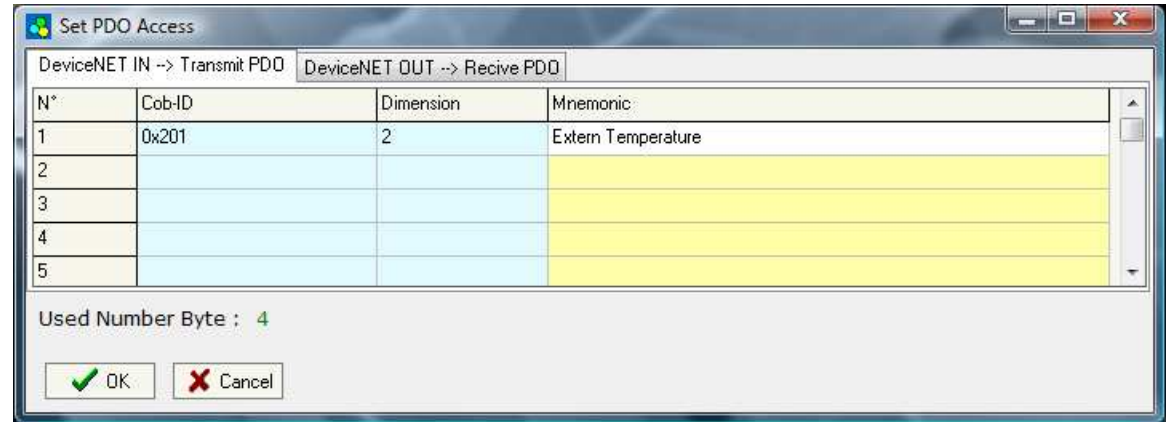
Figure 6: Chart of SDO request from Devicenet side.

**SET PDO ACCESS:**

The following objects can be defined within the "Set PDO Access" section:

- Transmit PDO, they take the data from DeviceNet Array;
- Receive PDO, they put the data in DeviceNet Array.

By pressing the "Set PDO Access" button from the main window for SW67134 (Fig. 3) the window "Set PDO Access" appears (Fig. 7).



The data of the columns have the following meanings: *Figure 7: "Set PDO Access" window*

- In the field "Cob-ID" insert the Cob-ID of the CANopen PDO;
- In the field "Dimension" insert the length of PDO;
- In the field "Mnemonic" you can insert a brief description of the command.

**Example 1:**

If you want to Write a Transmit PDO with:

- Cob-Id **0x201**;
- Dimensions **2 byte**.

from DeviceNet, you have to define the PDO like showed in Figure 7. Gateway takes PDO Data from the DeviceNet Array. The position in this array depends of how many SDO do you set in the section SDO DeviceNet IN.

The Gateway, in DeviceNet side, is a Slave and in order to read/write the bytes, you can use the following I/O messages:

- Strobe Bit;
- Polling;
- Cyclic;
- COS.

**EDS FILE:**

By clicking this button, the user can create a valid EDS file for CANopen side.

**UPDATE DEVICE:**

Section "Update Device":

In order to load the parameters or update the firmware in the gateway, follow these instructions:

- Turn OFF the device;
- Connect the Null Modem cable from your PC to the Gateway;
- Insert the Boot Jumper (For more info see the "Connection scheme" of the gateway);
- Turn ON the device;
- Check the "BOOT Led". It must blink quickly (more info see the "Connection scheme" of the gateway);
- Select the COM port and press the "Execute update firmware" button;
- When the operation is finished turn OFF the device;
- Disconnect the Boot Jumper;
- Turn ON the device.

At this point the configuration/firmware on the device is correctly updated

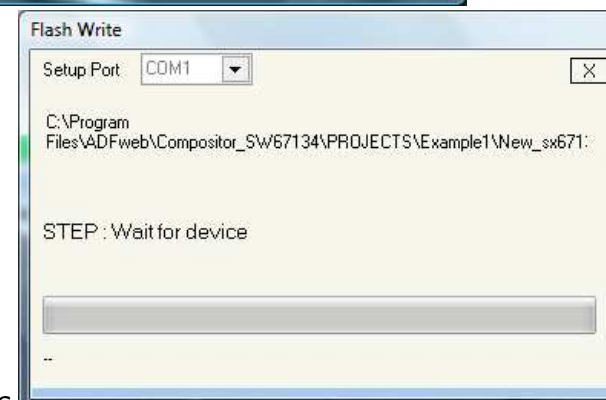
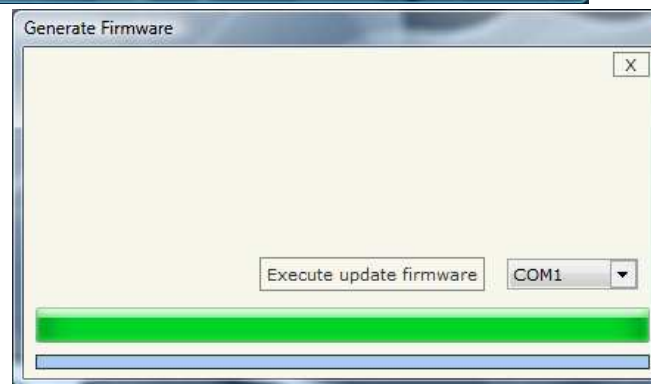
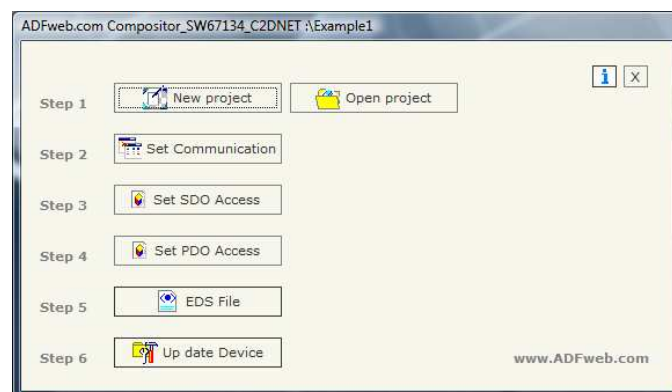


Figure 8: "Update device" windows

**CHARACTERISTICS OF THE CABLES:**

The connection from RS232 socket to a serial port (example one from a personal computer) must be made with a NULL MODEM cable (a serial cable where the pins 2 and 3 are crossed).

It is recommended that the RS232C Cable not exceed 15 meters.

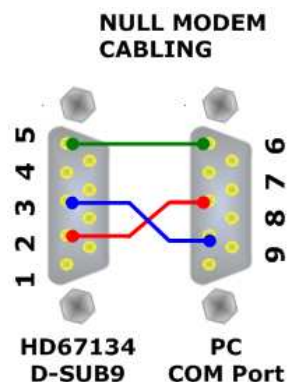
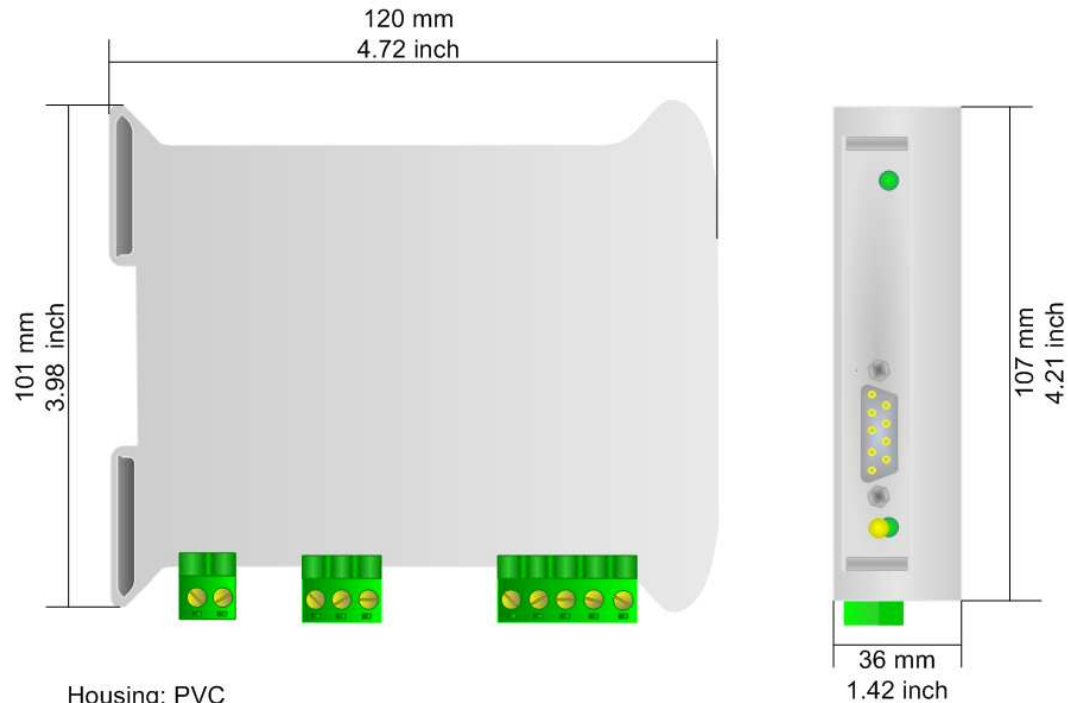


Figure 9: Null modem cabling

**CAN BUS CABLE CHARACTERISTICS:**

<b>DC parameter:</b>		Resistenza	70 Ohm/m
<b>AC parameters:</b>		Impedance	120 Ohm/m
		Delay	5 ns/m
<b>Length:</b>		<b>Baud Rate [bps]</b>	<b>MAX Length [m]</b>
		10 K	5000
		20 K	2500
		50 K	1000
		100 K	650
		125 K	500
		250 K	250
		500 K	100
		800 K	50
		1000 K	25

**MECHANICAL DIMENSIONS:**



Housing: PVC  
Weight: 200g (Approx)

*Figure 10: Mechanical dimensions scheme*

**ORDER CODE:**

Order Code: **HD67134** - CANopen / DeviceNet Slave - Converter

**ACCESSORIES:**

Order Code: **AC34107** - Null Modem Cable Fem/Fem DSub 9 Pin 1,5 m

Order Code: **AC34114** - Null Modem Cable Fem/Fem DSub 9 Pin 5 m



## DISCLAIMER

All technical content within this document can be modified without notice. The content of the document content is a recurring audit. For losses due to fire, earthquake, third party access or other accidents, or intentional or accidental abuse, misuse, or use under abnormal conditions repairs are charged to the user. ADFweb.com S.r.l. will not be liable for accidental loss of use or inability to use this product, such as loss of business income. ADFweb.com S.r.l. shall not be liable for consequences of improper use.

## OTHER REGULATIONS AND STANDARDS

### WEEE INFORMATION



Disposal of old electrical and electronic equipment (as in the European Union and other European countries with separate collection systems).

— This symbol on the product or on its packaging indicates that this product may not be treated as household rubbish. Instead, it should be taken to an applicable collection point for the recycling of electrical and electronic equipment. If the product is disposed correctly, you will help prevent potential negative environmental factors and human health, which could otherwise be caused by inappropriate disposal. The recycling of materials will help to conserve natural resources. For more information about recycling this product, please contact your local city office, your household waste disposal service or the shop where you purchased the product.

### RESTRICTION OF HAZARDOUS SUBSTANCES DIRECTIVE



The device respects the 2002/95/EC Directive on the restriction of the use of certain hazardous substances in electrical and electronic equipment (commonly referred to as Restriction of Hazardous Substances Directive or RoHS).

### CE MARKING



The product conforms with the essential requirements of the applicable EC directives.

### WARRANTIES AND TECHNICAL SUPPORT:

For fast and easy technical support for your ADFweb.com srl products, consult our internet support at [www.adfweb.com](http://www.adfweb.com). Otherwise contact us at the address support@adfweb.com

### RETURN POLICY:

If while using your product you have any problem and you wish to exchange or repair it, please do the following:

- 1) Obtain a Product Return Number (PRN) from our internet support at [www.adfweb.com](http://www.adfweb.com). Together with the request, you need to provide detailed information about the problem.
- 2) Send the product to the address provided with the PRN, having prepaid the shipping costs (shipment costs billed to us will not be accepted).
- 3) If the product is within the warranty of twelve months, it will be repaired or exchanged and returned within three weeks. If the product is no longer under warranty, you will receive a repair estimate.

### PRODUCTS AND RELATED DOCUMENTS:

Part	Description	URL
HD67117	CAN Repeater/Isolator	<a href="http://www.adfweb.com?Product=HD67117">www.adfweb.com?Product=HD67117</a>
HD67116	Can Analyzer	<a href="http://www.adfweb.com?Product=HD67116">www.adfweb.com?Product=HD67116</a>
HD67121	Translate CANopen Gateway	<a href="http://www.adfweb.com?Product=HD67121">www.adfweb.com?Product=HD67121</a>