

User Manual

Revision 1.000
English

IO-Link / BACnet Slave - Converter

(Order Code: HD67865-IP-A1-2A, HD67865-IP-A1-4A,
HD67865-IP-A1-2B, HD67865-IP-A1-2A-2B,
HD67865-MSTP-A1-2A, HD67865-MSTP-A1-4A,
HD67865-MSTP-A1-2B, HD67865-MSTP-A1-2A-2B)

for Website information:

www.adfweb.com/?Product=HD67865

for Price information:

www.adfweb.com/?Price=HD67865-IP-A1-2A
www.adfweb.com/?Price=HD67865-IP-A1-4A
www.adfweb.com/?Price=HD67865-IP-A1-2B
www.adfweb.com/?Price=HD67865-IP-A1-2A-2B
www.adfweb.com/?Price=HD67865-MSTP-A1-2A
www.adfweb.com/?Price=HD67865-MSTP-A1-4A
www.adfweb.com/?Price=HD67865-MSTP-A1-2B
www.adfweb.com/?Price=HD67865-MSTP-A1-2A-2B

Benefits and Main Features:

- ⊕ Triple electrical isolation
- ⊕ Two Ethernet ports
- ⊕ Temperature range: -40°C/+85°C (-40°F/+185°F)



User Manual

For others IO-Link devices, see also the following links:

IO-Link from/to ...

www.adfweb.com?Product=HD67860
www.adfweb.com?Product=HD67861
www.adfweb.com?Product=HD67862
www.adfweb.com?Product=HD67863
www.adfweb.com?Product=HD67864
www.adfweb.com?Product=HD67866
www.adfweb.com?Product=HD67867
www.adfweb.com?Product=HD67868
www.adfweb.com?Product=HD67869
www.adfweb.com?Product=HD67870
www.adfweb.com?Product=HD67871
www.adfweb.com?Product=HD67872
www.adfweb.com?Product=HD67873
www.adfweb.com?Product=HD67874
www.adfweb.com?Product=HD67875
www.adfweb.com?Product=HD67876
www.adfweb.com?Product=HD67877
www.adfweb.com?Product=HD67878

(Modbus Master)
 (Modbus Slave)
 (Modbus TCP Master)
 (Modbus TCP Slave)
 (BACnet Master)
 (CAN)
 (CANopen)
 (DeviceNet Master)
 (DeviceNet Slave)
 (EtherNet/IP Master)
 (EtherNet/IP Slave)
 (J1939)
 (MQTT)
 (NMEA0183)
 (NMEA2000)
 (PROFINET Slave)
 (SNMP Manager)
 (SNMP Agent)

Do you have an your customer protocol?

See the following links:

www.adfweb.com?Product=HD67876

Do you need to choose a device? do you want help?

Ask it to the following link:

www.adfweb.com?Cmd=helpme

INDEX:

	Page
INDEX	2
UPDATED DOCUMENTATION	2
REVISION LIST	2
WARNING	2
TRADEMARKS	2
SECURITY ALERT	3
EXAMPLE OF CONNECTION	4
CONNECTION SCHEME	5
CHARACTERISTICS	13
CONFIGURATION	13
POWER SUPPLY	14
FUNCTION MODES	15
LEDS	16
IO-LINK	17
AUX POWER SUPPLY	18
ETHERNET	19
RS485 (FOR BACNET MS/TP)	20
USE OF COMPOSITOR SW67865	21
NEW PROJECT / OPEN PROJECT	22
SOFTWARE OPTIONS	23
SET COMMUNICATION	25
IO-LINK SET ACCESS	27
SET BACNET ACCESS	36
BACNET EDE FILE	37
UPDATE DEVICE	38
MECHANICAL DIMENSIONS	40
ORDERING INFORMATIONS	41
ACCESSORIES	42
DISCLAIMER	43
OTHER REGULATIONS AND STANDARDS	43
WARRANTIES AND TECHNICAL SUPPORT	44
RETURN POLICY	44

UPDATED DOCUMENTATION:

Dear customer, we thank you for your attention and we remind you that you need to check that the following document is:

- Updated
- Related to the product you own

To obtain the most recently updated document, note the “document code” that appears at the top right-hand corner of each page of this document.

With this “Document Code” go to web page www.adfweb.com/download/ and search for the corresponding code on the page. Click on the proper “Document Code” and download the updates.

REVISION LIST:

Revision	Date	Author	Chapter	Description
1.000	13/03/2020	Ff	All	First release version

WARNING:

ADFweb.com reserves the right to change information in this manual about our product without warning.
ADFweb.com is not responsible for any error this manual may contain.

TRADEMARKS:

All trademarks mentioned in this document belong to their respective owners.

SECURITY ALERT:**GENERAL INFORMATION**

To ensure safe operation, the device must be operated according to the instructions in the manual. When using the device, legal and safety regulation are required for each individual application. The same applies also when using accessories.

INTENDED USE

Machines and systems must be designed so the faulty conditions do not lead to a dangerous situation for the operator (i.e. independent limit switches, mechanical interlocks, etc.).

QUALIFIED PERSONNEL

The device can be used only by qualified personnel, strictly in accordance with the specifications.

Qualified personnel are persons who are familiar with the installation, assembly, commissioning and operation of this equipment and who have appropriate qualifications for their job.

RESIDUAL RISKS

The device is state-of-the-art and is safe. The instruments can represent a potential hazard if they are inappropriately installed and operated by untrained personnel. These instructions refer to residual risks with the following symbol:



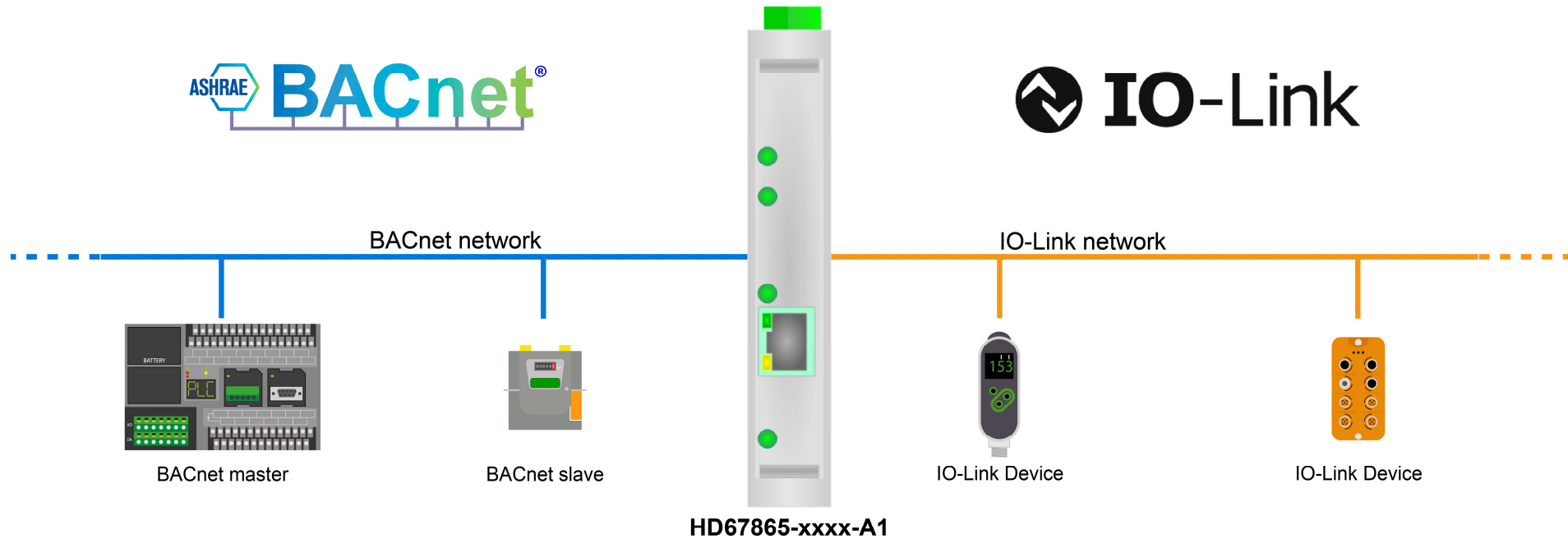
This symbol indicates that non-observance of the safety instructions is a danger for people that could lead to serious injury or death and / or the possibility of damage.

CE CONFORMITY

The declaration is made by our company. You can send an email to support@adfweb.com or give us a call if you need it.

EXAMPLE OF CONNECTION:

IO-Link / BACnet - Converter
HD67865-xxxx-A1



ADFweb.com



+39 0438 309 131



+39 349 440 9592



support@adfweb.com

CONNECTION SCHEME:

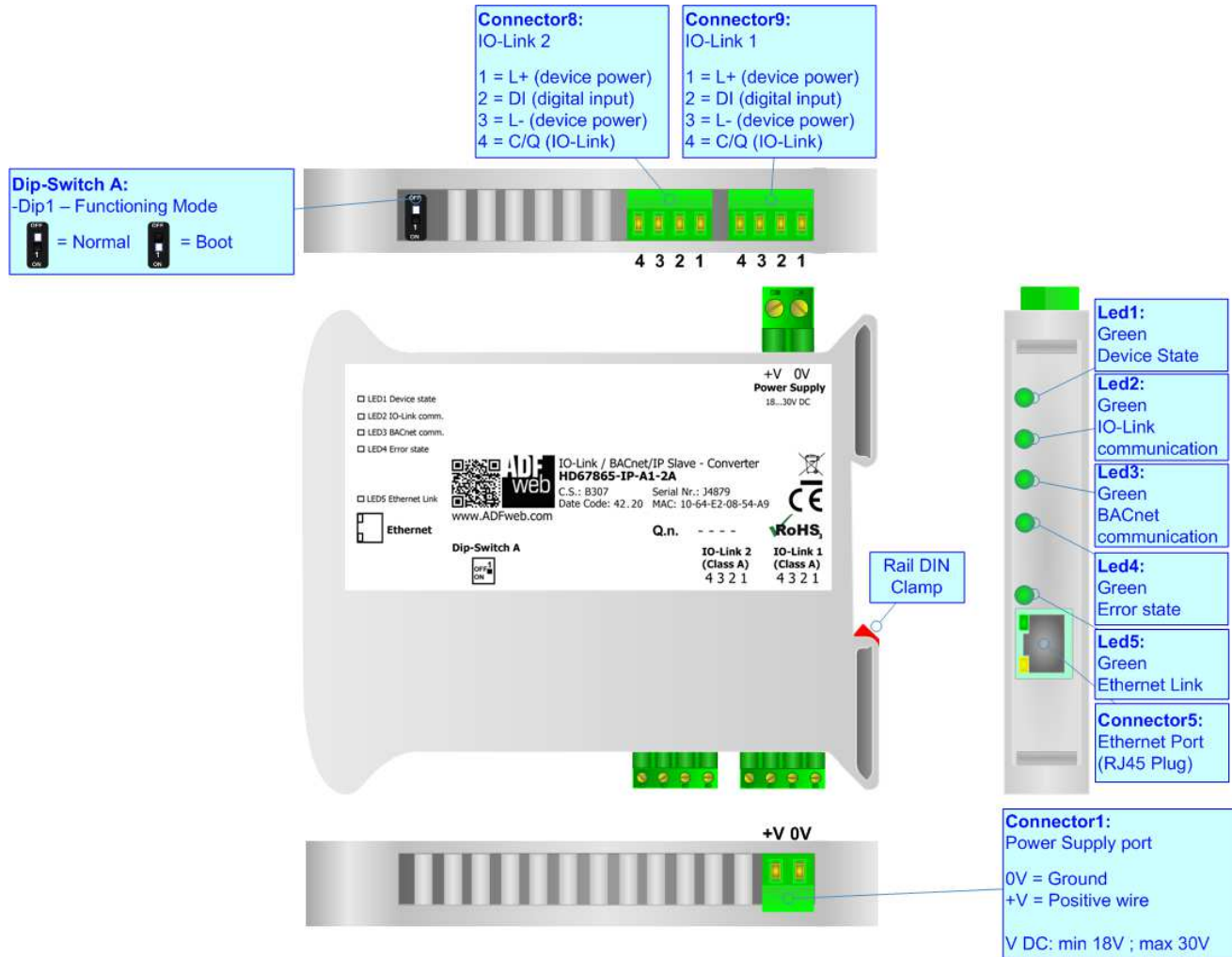


Figure 1a: Connection scheme for HD67865-IP-A1-2A

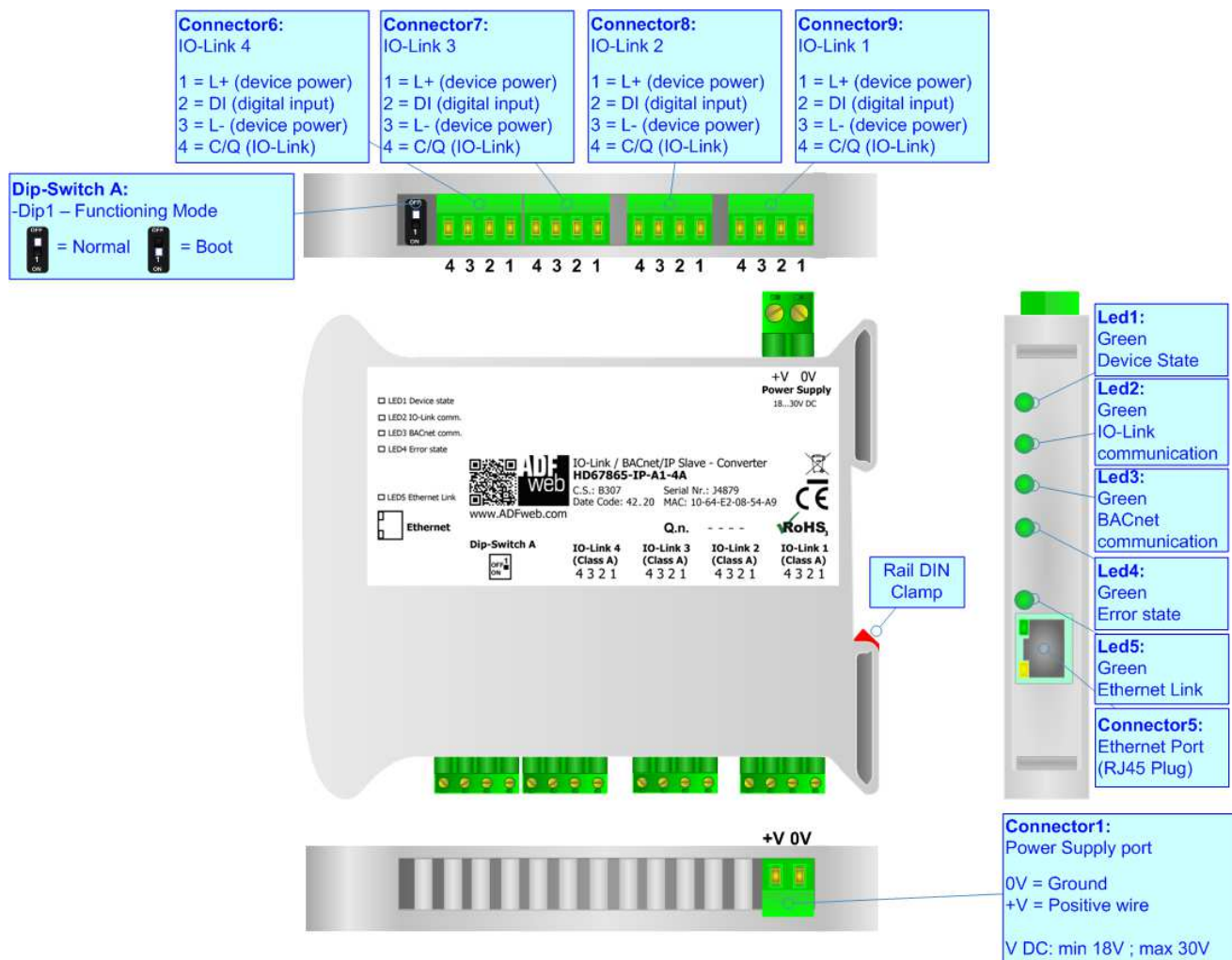


Figure 1b: Connection scheme for HD67865-IP-A1-4A

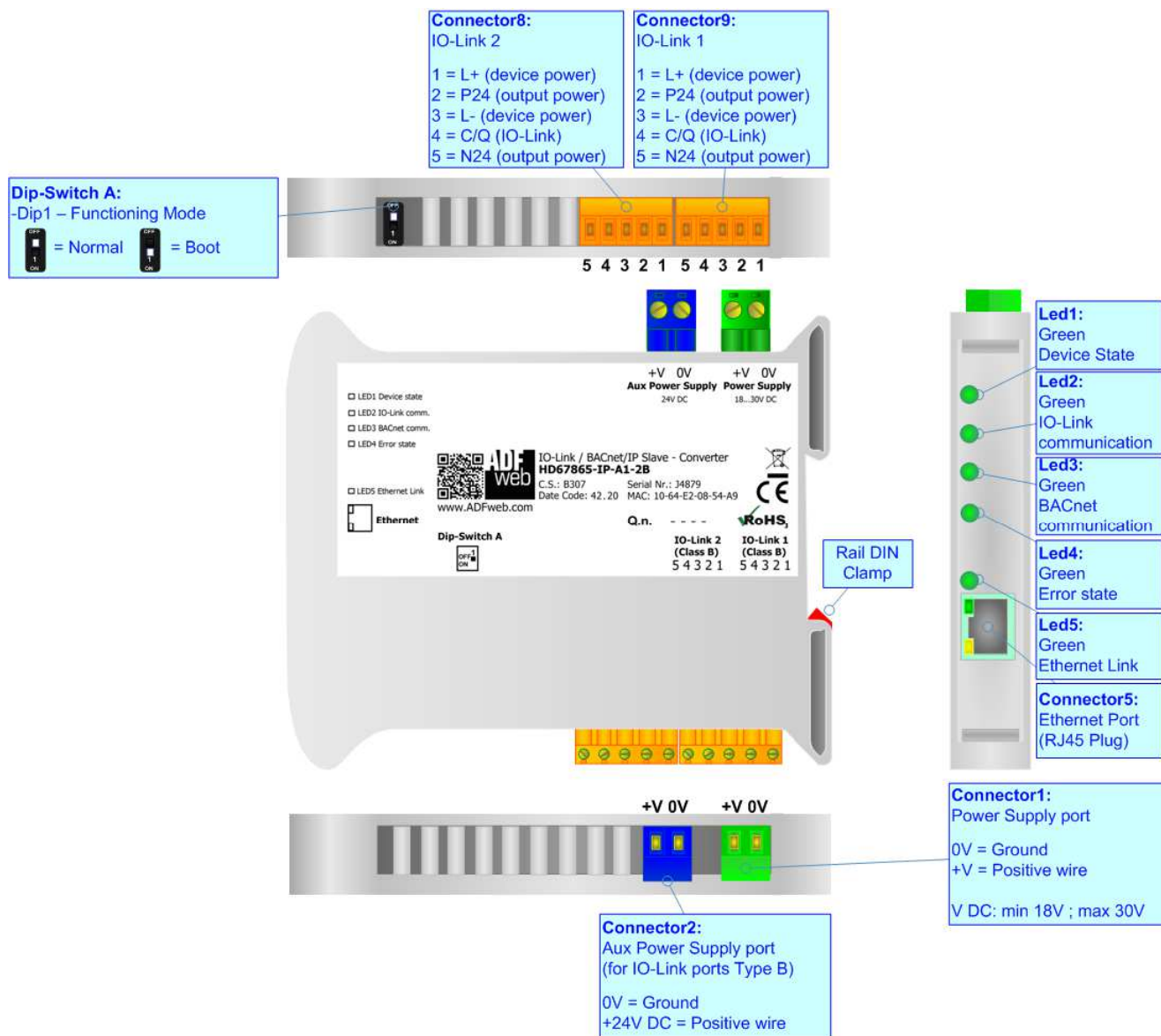


Figure 1c: Connection scheme for HD67865-IP-A1-2B

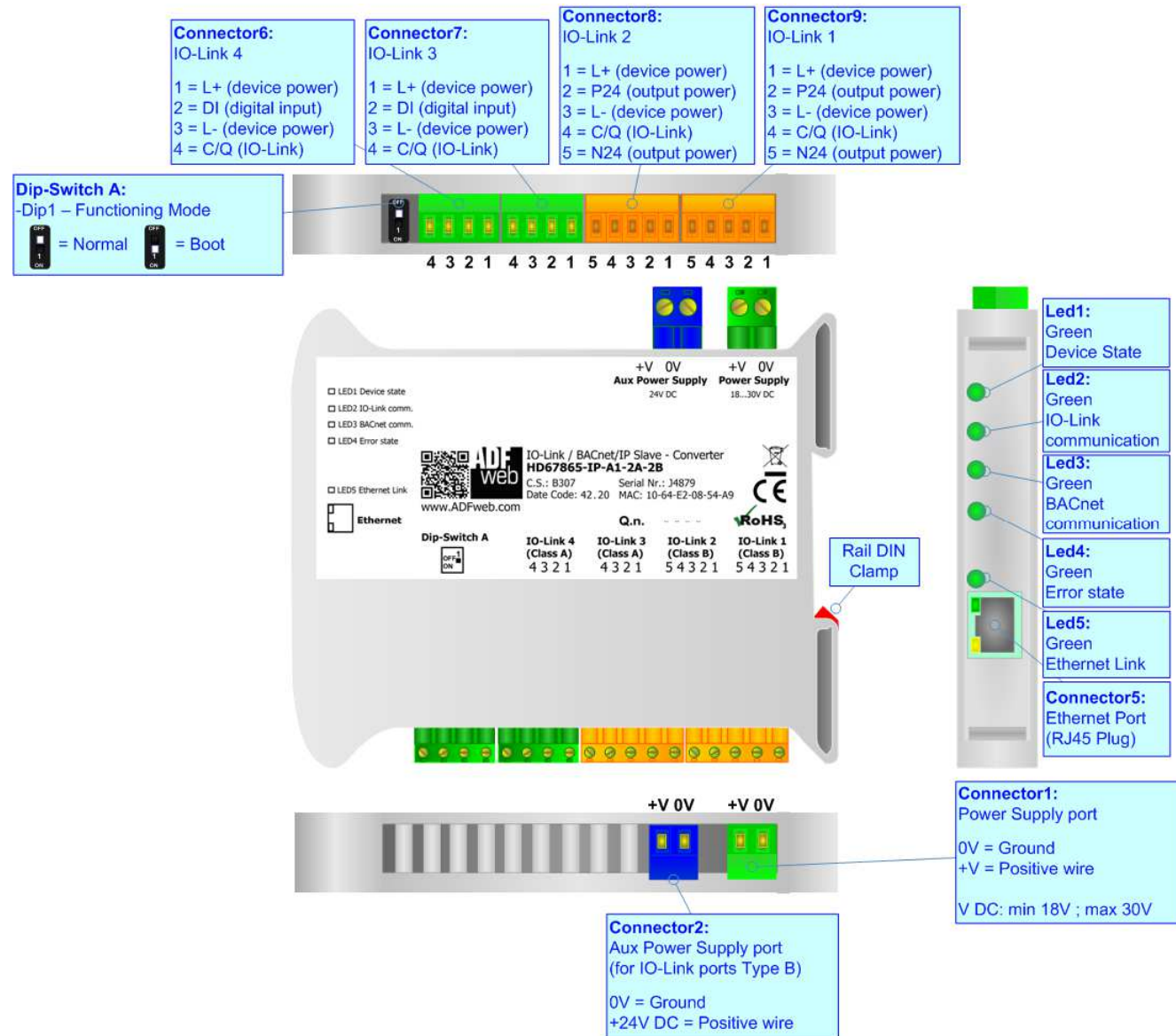


Figure 1d: Connection scheme for HD67865-IP-A1-2A-2B

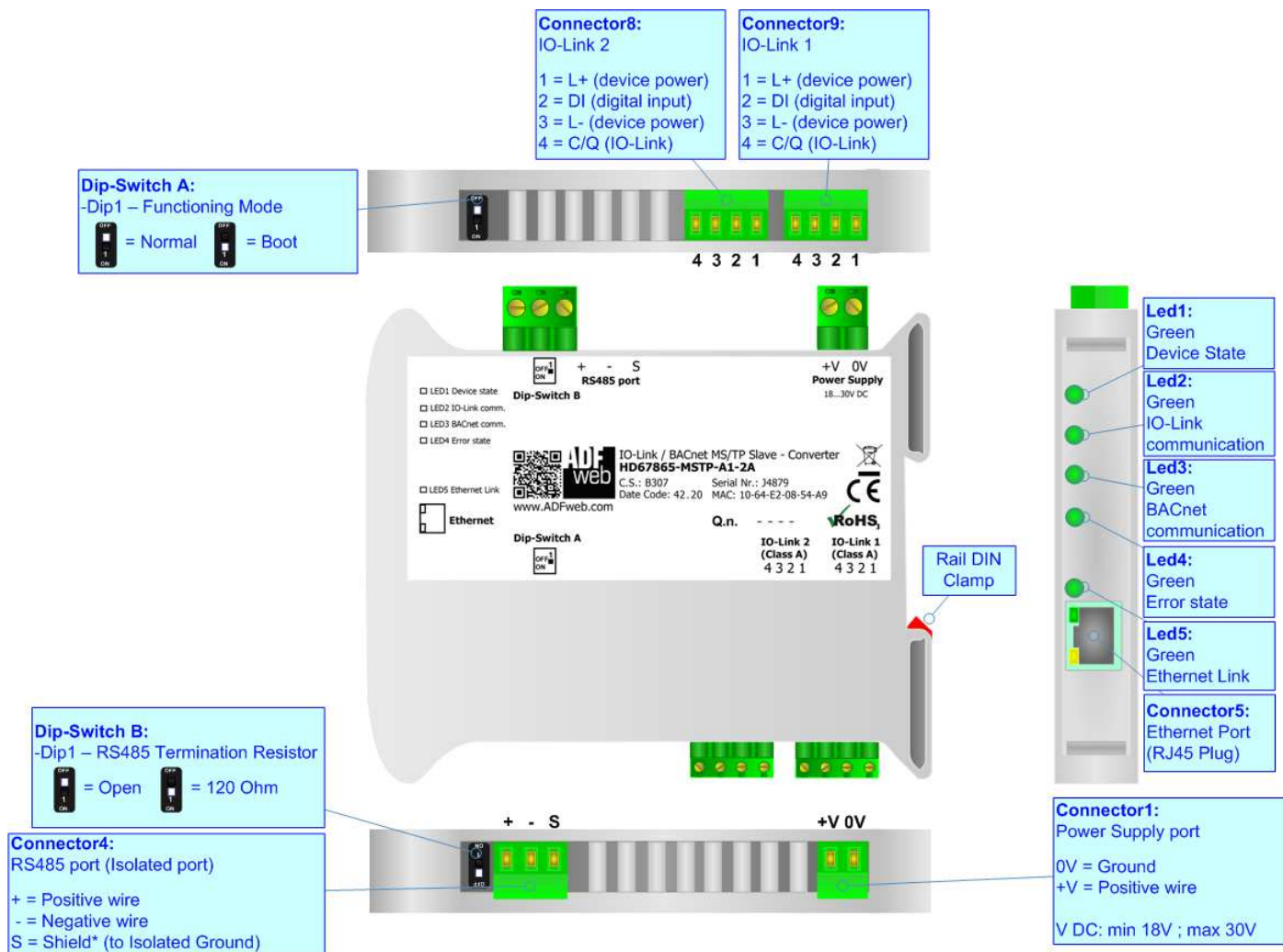


Figure 1e: Connection scheme for HD67865-MSTP-A1-2A

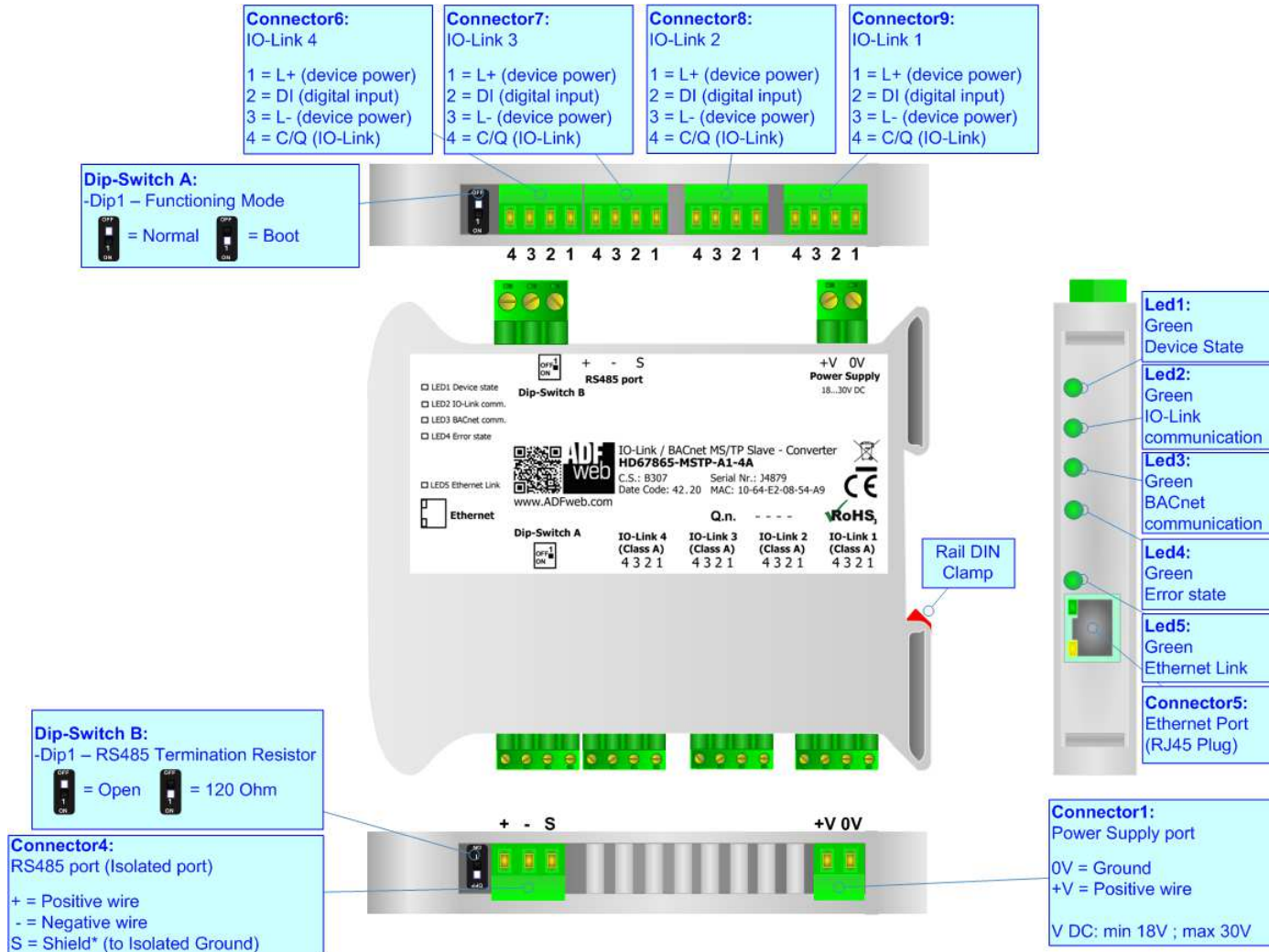


Figure 1f: Connection scheme for HD67865-MSTP-A1-4A

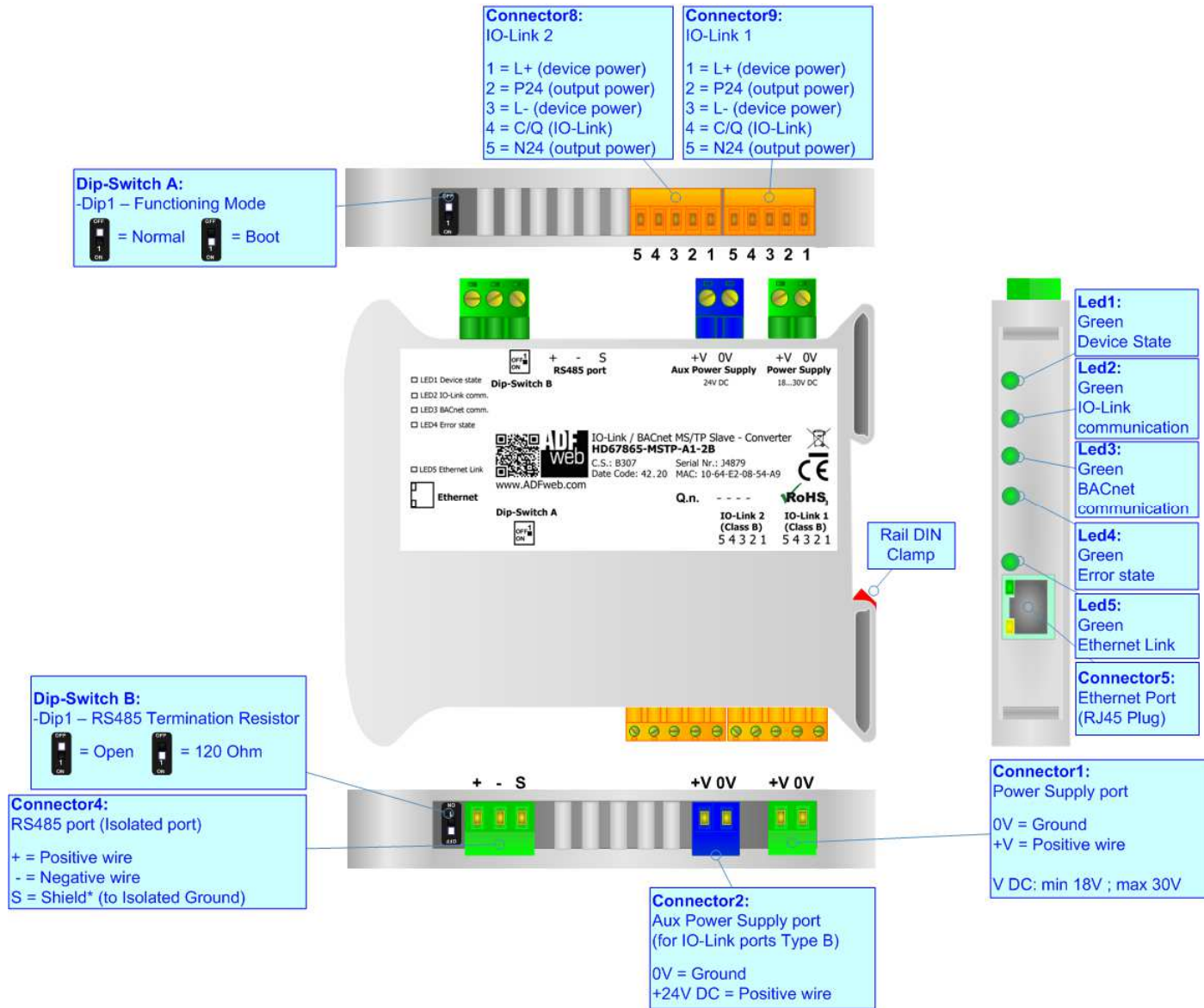


Figure 1g: Connection scheme for HD67865-MSTP-A1-2B

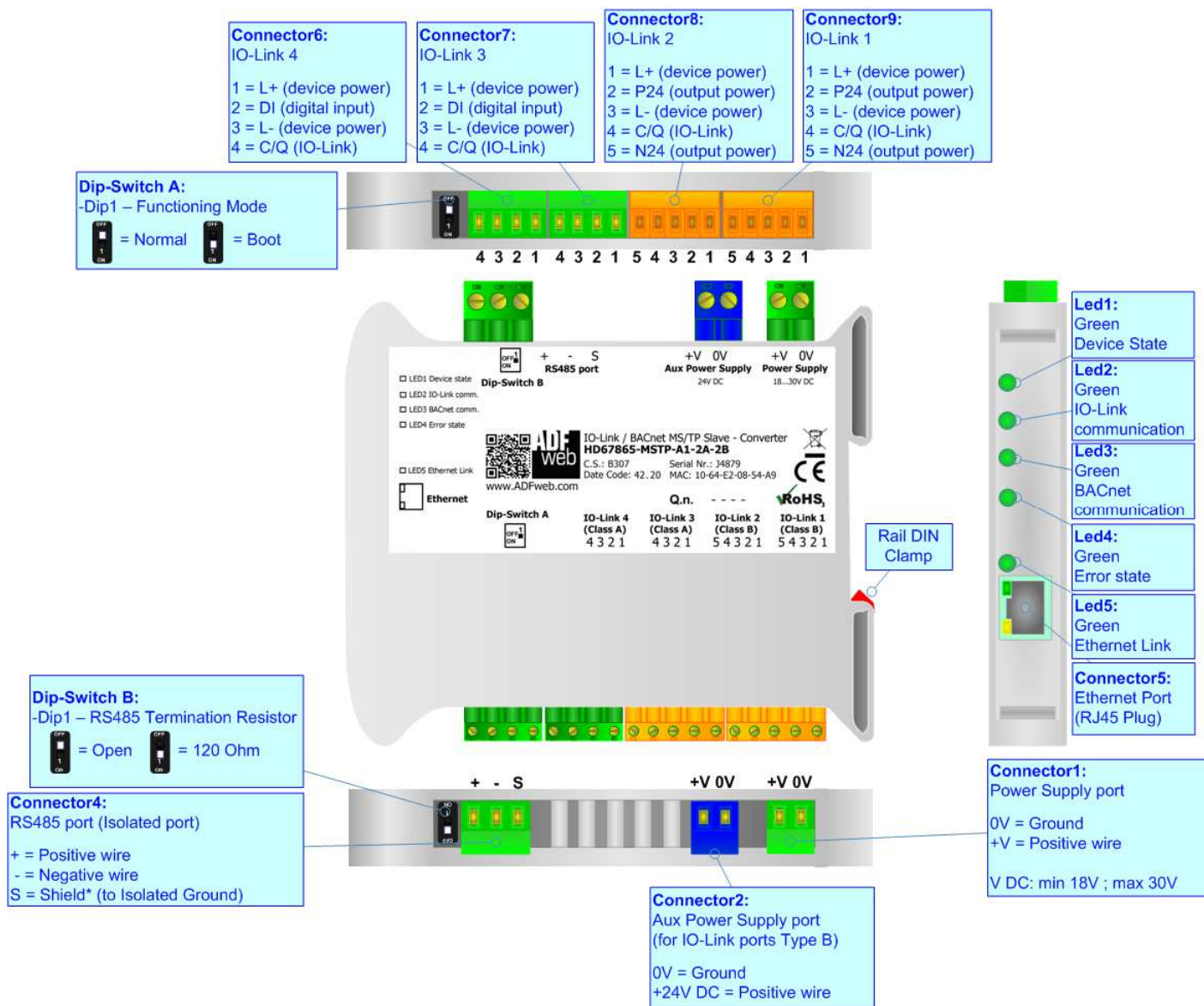


Figure 1h: Connection scheme for HD67865-MSTP-A1-2A-2B

CHARACTERISTICS:

The HD67865-xxxx-A1 is a IO-Link / BACnet Slave converter.

It allows the following characteristics:

- Up to 1500 bytes in reading and 1500 bytes in writing;
- Two-directional information between BACnet and IO-Link;
- Mountable on 35mm Rail DIN;
- Wide power supply input range: 8...24V AC or 12...35V DC;
- Wide temperature range: -40°C / 85°C [-40°F / +185°F].

CONFIGURATION:

You need Compositor SW67865 software on your PC in order to perform the following:

- Define the parameters of IO-Link;
- Define the parameters of BACnet;
- Define IO-Link variables to be read by the BACnet Master;
- Define IO-Link variables to be written by the BACnet Master;
- Update the device.

POWER SUPPLY:

The devices can be powered between a wide range of tensions. For more details see the two tables below.

	VDC	
	Vmin	Vmax
HD67865-xxxx-A1-xx	18V	30V

Consumption at 24V DC:

Device	W/VA
HD67865-xxxx-A1-xx	4

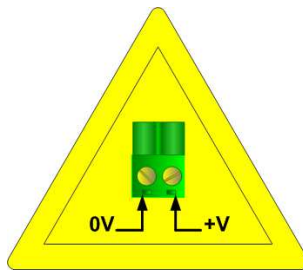


Warning:

It is necessary to add to this consumption the one required by the IO-Link devices connected to the IO-Link channels.



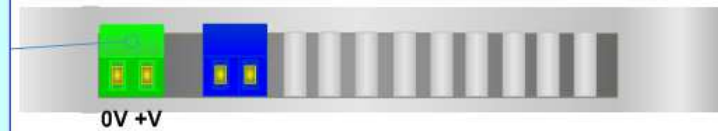
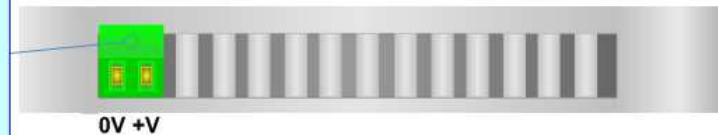
Caution: Not reverse the polarity power



HD67865-xxxx-A1-xx

Connector1:
Power Supply port
0V = Ground
+V = Positive wire
V DC: min 18V ; max 30V

Connector1:
Power Supply port
0V = Ground
+V = Positive wire
V DC: min 18V ; max 30V



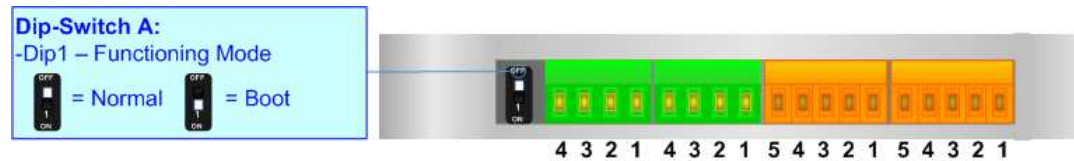
FUNCTION MODES:

The device has got two functions mode depending of the position of the Dip1 of 'Dip-Switch A':

- The first, with Dip1 in Off position (factory setting), is used for the normal working of the device.
- The second, with Dip1 in On position, is used for upload the Project/Firmware.

For the operations to follow for the updating (see 'UPDATE DEVICE' section).

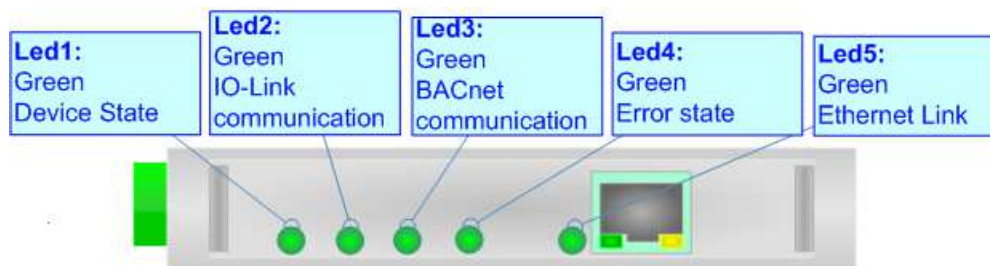
According to the functioning mode, the LEDs will have specifics functions (see 'LEDS' section).



LEDS:

The device has got five LEDs that are used to give information of the functioning status. The various meanings of the LEDs are described in the table below.

LED	Normal Mode	Boot Mode
1: Device State (green)	Blinks slowly (~1Hz)	Blinks quickly: Boot state Blinks very slowly (~0.5Hz): update in progress
2: IO-Link comm. (green)	Flashing: IO-Link communication OFF: No IO-Link communication	Blinks quickly: Boot state Blinks very slowly (~0.5Hz): update in progress
3: BACnet comm. (green)	Flashing: BACnet communication OFF: No BACnet communication	Blinks quickly: Boot state Blinks very slowly (~0.5Hz): update in progress
4: Error state (green)	ON: at least one IO-Link device is not communicating OFF: No errors are present	Blinks quickly: Boot state Blinks very slowly (~0.5Hz): update in progress
5: Ethernet Link (green)	ON: Ethernet cable connected OFF: Ethernet cable not connected	ON: Ethernet cable connected OFF: Ethernet cable not connected



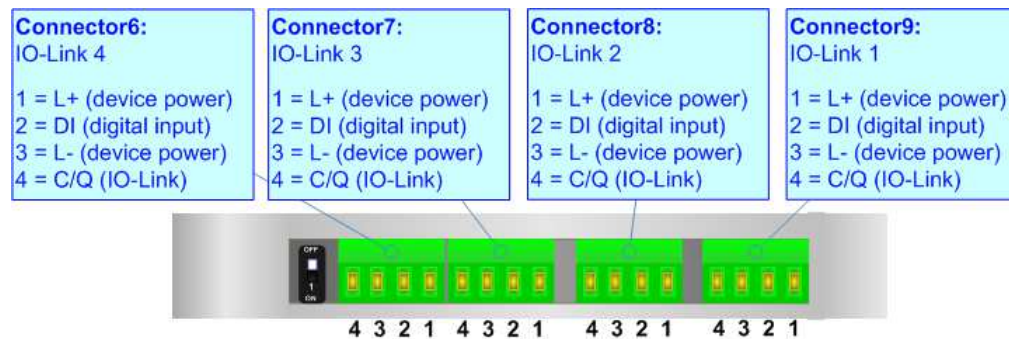
IO-LINK

IO-Link is the first globally standardized IO technology (IEC 61131-9) that communicates from the controller down to the lowest automation level. This universally applicable interface is a fieldbus-neutral point-to-point connection which uses standard unshielded cables. IO-Link sends all the sensor and actuator signals to the controller and in turn carries controller data to the sensor/actuator level with revolutionary consequences.

It is possible to have IO-Link device of two different type: IO-Link Class A and IO-Link Class B. ADFweb.com’s converters can manage both of them in relation to the product code selected.

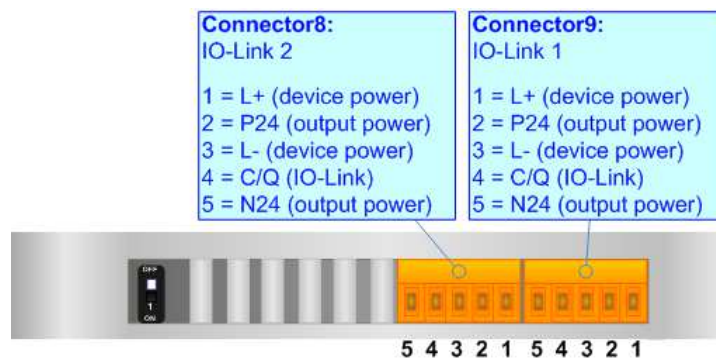
IO-LINK CLASS A:

IO-Link Class A devices uses 4 pins on connectors and the input power required can be up to 200mA. These devices are normally sensors and actuators that don’t require high input power.



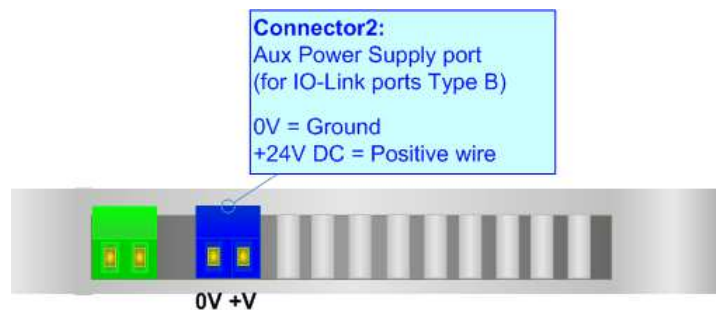
IO-LINK CLASS B:

IO-Link Class B devices uses 5 pins on connectors and they require an additional aux power supply used for the actuation. These devices are normally actuators.



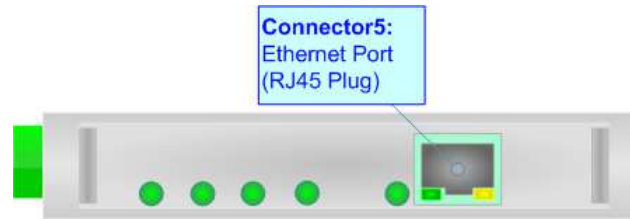
AUX POWER SUPPLY (for IO-Link Class B):

The Aux Power Supply port is used to provide the additional power supply for the IO-Link Class B. The input voltage is fixed to 24 V DC and the current depends on the input power required by the IO-Link devices connected to the IO-Link channels Class B.



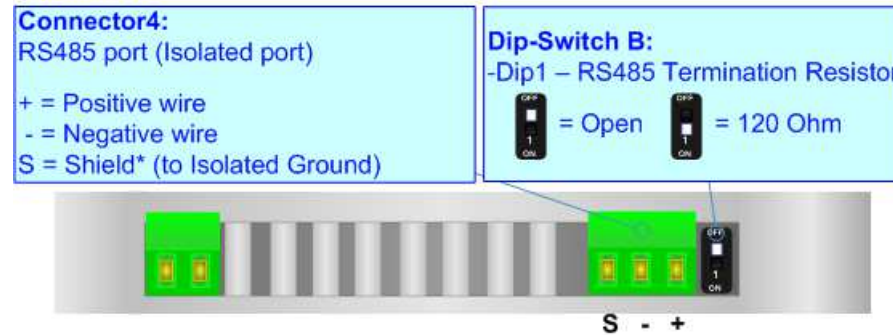
ETHERNET:

The Ethernet connection must be made using Connector5 of HD67865-xxxx-A1 with at least a Category 5E cable. The maximum length of the cable should not exceed 100m. The cable has to conform to the T568 norms relative to connections in cat.5 up to 100 Mbps. To connect the device to an Hub/Switch is recommended the use of a straight cable, to connect the device to a PC/PLC/other is recommended the use of a cross cable.



RS485 (for BACnet MS/TP):

For terminating the RS485 line with a 120Ω resistor it is necessary to put ON dip 1, like in figure.



The maximum length of the cable should be 1200m (4000 feet).

Here some codes of cables:

- Belden: p/n 8132 - 2x 28AWG stranded twisted pairs conductor + foil shield + braid shield;
- Belden p/n 82842 - 2x 24AWG stranded twisted pairs conductor + foil shield + braid shield;
- Tasker: p/n C521 - 1x 24AWG twisted pair conductor + foil shield + braid shield;
- Tasker: p/n C522 - 2x 24AWG twisted pairs conductor + foil shield + braid shield.

USE OF COMPOSITOR SW67865:

To configure the Converter, use the available software that runs with Windows called SW67865. It is downloadable on the site www.adfweb.com and its operation is described in this document. (*This manual is referenced to the last version of the software present on our web site*). The software works with MSWindows (XP, Vista, Seven, 8, 10; 32/64bit).

When launching the SW67865, the window below appears (Fig. 2).



Note:

It is necessary to have installed .Net Framework 4.

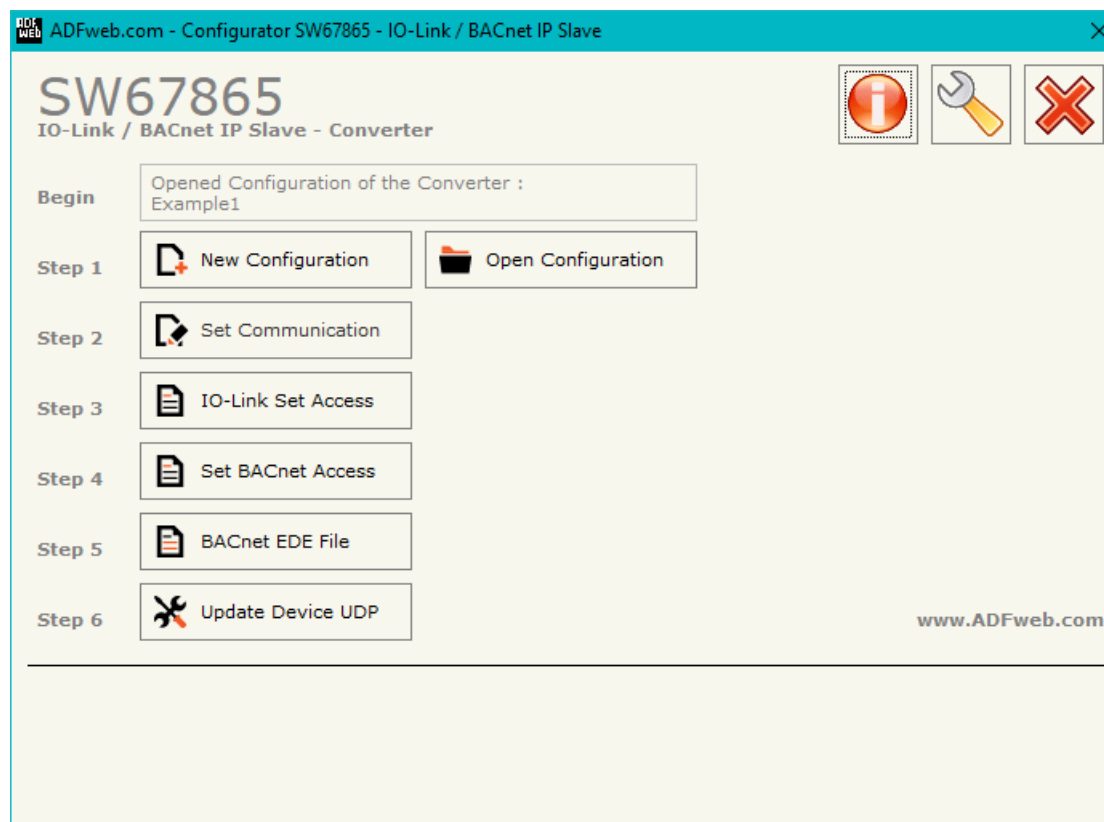
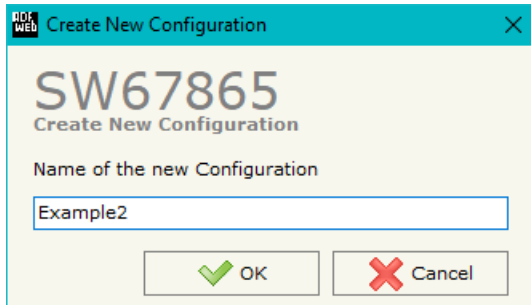


Figure 2: Main window for SW67865

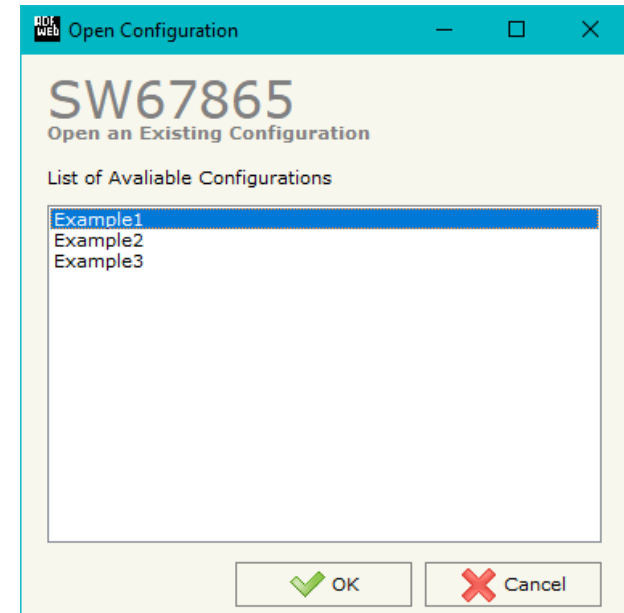
NEW CONFIGURATION / OPEN CONFIGURATION:

The “**New Configuration**” button creates the folder which contains the entire device’s configuration.




A device’s configuration can also be imported or exported:

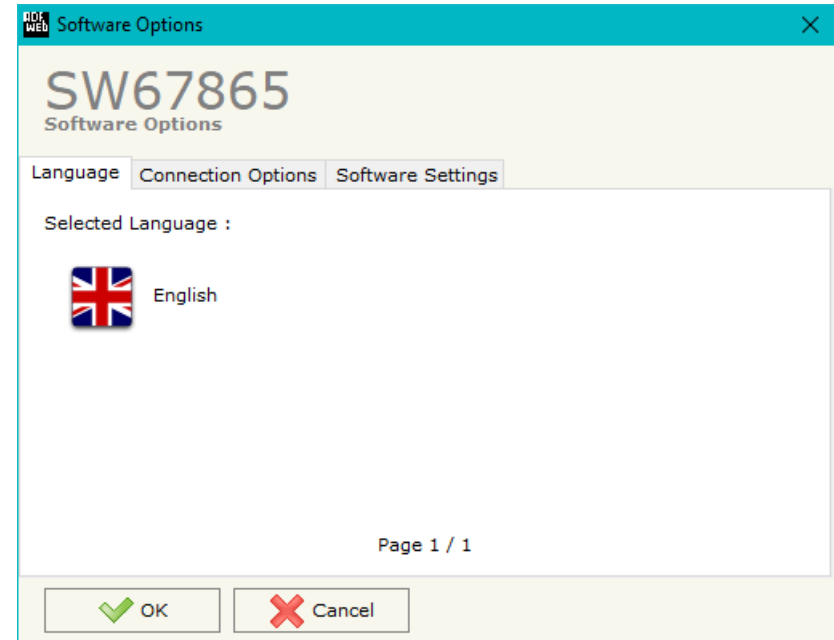
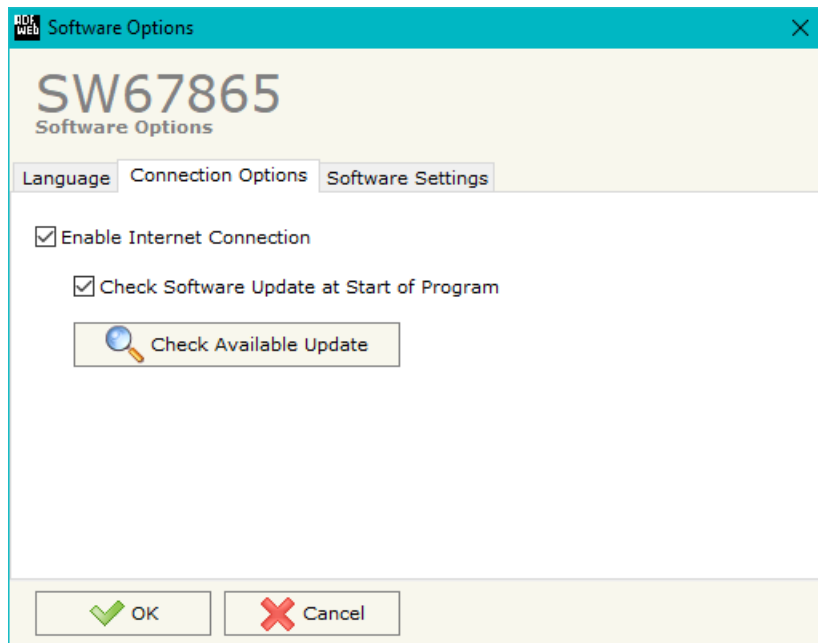
- To clone the configurations of a programmable “IO-Link / BACnet Slave - Converter” in order to configure another device in the same manner, it is necessary to maintain the folder and all its contents;
- To clone a project in order to obtain a different version of the project, it is sufficient to duplicate the project folder with another name and open the new folder with the button “**Open Configuration**”.



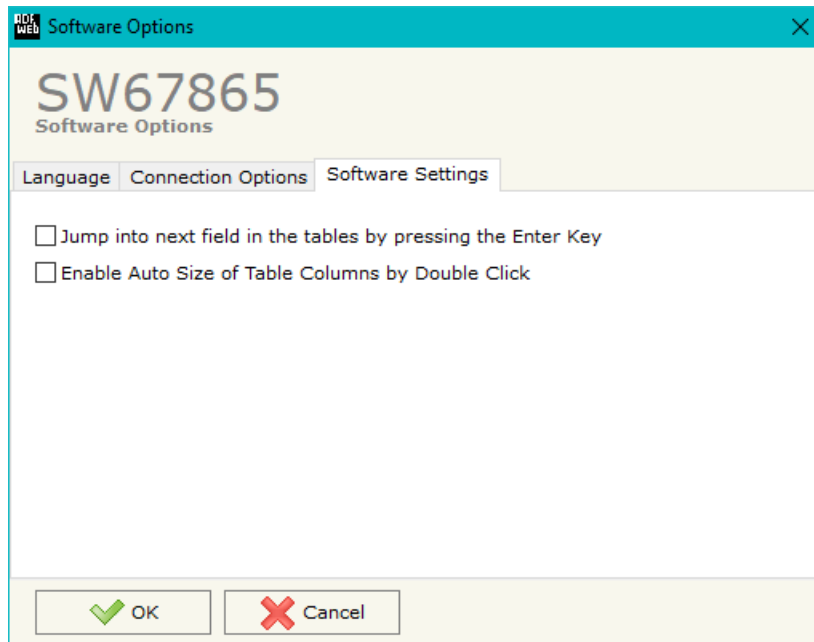
SOFTWARE OPTIONS:

By pressing the “**Settings**” () button there is the possibility to change the language of the software and check the updates for the compositor.

In the section “Language” it is possible to change the language of the software.



In the section “Connection Options”, it is possible to check if there are some updates of the software compositor in ADFweb.com website. Checking the option “**Check Software Update at Start of Program**”, the SW67865 check automatically if there are updates when it is launched.



In the section "Software Settings", it is possible to enable/disable some keyboard's commands for an easier navigation inside the tables contained in the different sections of the software.

SET COMMUNICATION:

This section defines the fundamental communication parameters of BACnet.

By Pressing the **"Set Communication"** button from the main window for SW67865 (Fig. 2) the window "Set Communication" appears (Fig. 3).

The means of the fields for "IO-LINK" are:

- ➔ In the fields **"Select Device"** the type of IO-LINK channels is defined;

In the section "BACnet Slave" is possible to select the type of BACnet to use from:

- ➔ BACnet/IP (uses Ethernet);
- ➔ BACnet MS/TP (uses RS485).

If selected "BACnet/IP" the means of the fields for "BACnet" are:

- ➔ In the fields **"IP ADDRESS"** the IP address of BACnet/IP side of the converter is defined;
- ➔ In the fields **"SUBNET Mask"** the SubNet Mask of BACnet/IP side of the converter is defined;
- ➔ In the fields **"GATEWAY"** the default gateway of the network is defined. This feature can be enabled or disabled pressing the Check Box field. This feature is used for going out of the net;
- ➔ In the field **"Port"** the port used for BACnet communication is defined. The default port used for BACnet communication is 47808, but is possible to insert any value;
- ➔ In the field **"BACnet Device Name"** the name of BACnet/IP side of the converter is defined;
- ➔ In the field **"Device Identifier"** the ID of BACnet/IP side of the converter is defined;
- ➔ If the field **"BACnet description up to 32 chars"** is checked, the description of the BACnet objects can be up to 32 chars.

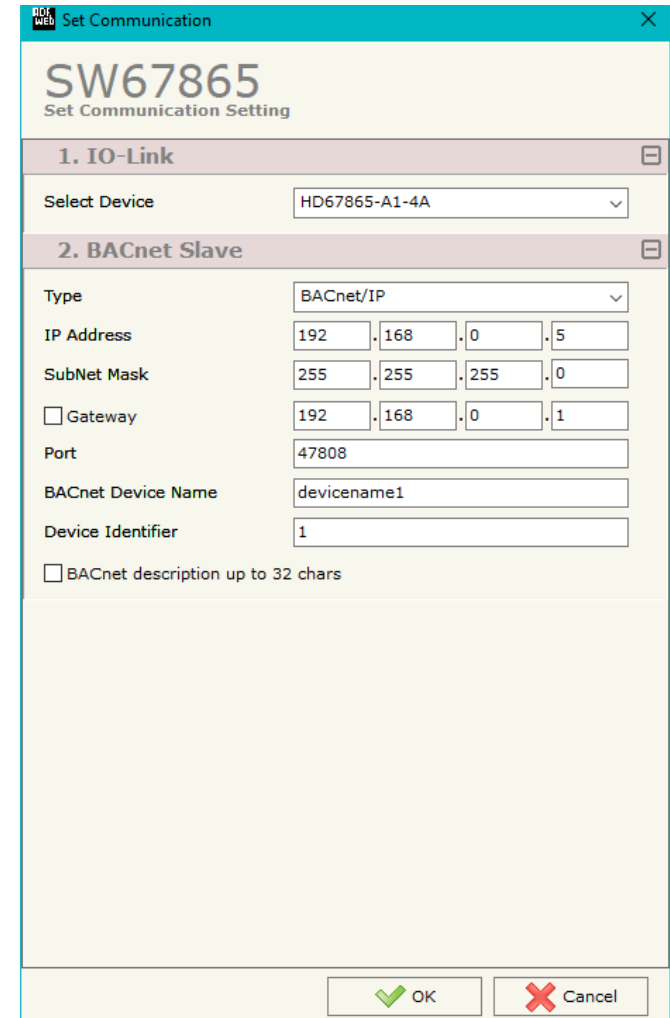


Figure 3a: "Set Communication" window

If selected "BACnet MS/TP", the means of the fields for "BACnet" are:

- In the field "**Baudrate**" the data rate of the BACnet line is defined;
- In the field "**Parity**" the parity of the line is defined;
- In the field "**BACnet Device Name**" the name to give to the BACnet node is defined;
- In the field "**MAC Address**" the MAC of BACnet node (from 0 to 254) is defined;
- The field "**Max Master**" specifies the highest allowable address for master nodes. The value shall be less than or equal to 127;
- The field "**Max Info Frames**" specifies the maximum number of information frames the node may send before it must pass the token;
- In the field "**Device Instance**" the of the BACnet MS/TP side of the converter is defined;
- In the field "**Network**" the BACnet MS/TP network number is defined;
- If the field "**BACnet description up to 32 chars**" is checked, the description of the BACnet objects can be up to 32 chars.

The means of the fields for the "Ethernet Update" section are:

- In the fields "**IP ADDRESS**" the IP address of the converter is defined;
- In the fields "**SUBNET Mask**" the SubNet Mask of the converter is defined;
- In the fields "**GATEWAY**" the default gateway of the network is defined. This feature can be enabled or disabled pressing the Check Box field. This feature is used for going out of the net.

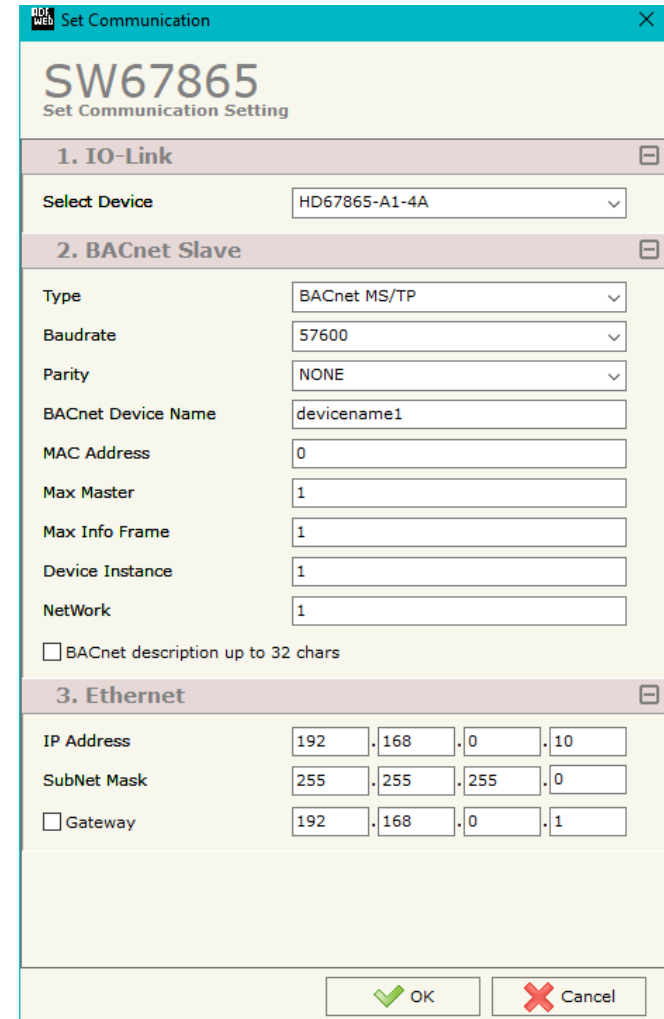


Figure 3b: "Set Communication" window

IO-LINK SET ACCESS:

By Pressing the “**IO-Link Set Access**” button from the main window for SW67865 (Fig. 2) the window “IO-Link Set Access” appears (Fig. 4). This section is used to define the list of IO-Link variables accessible from BACnet side.

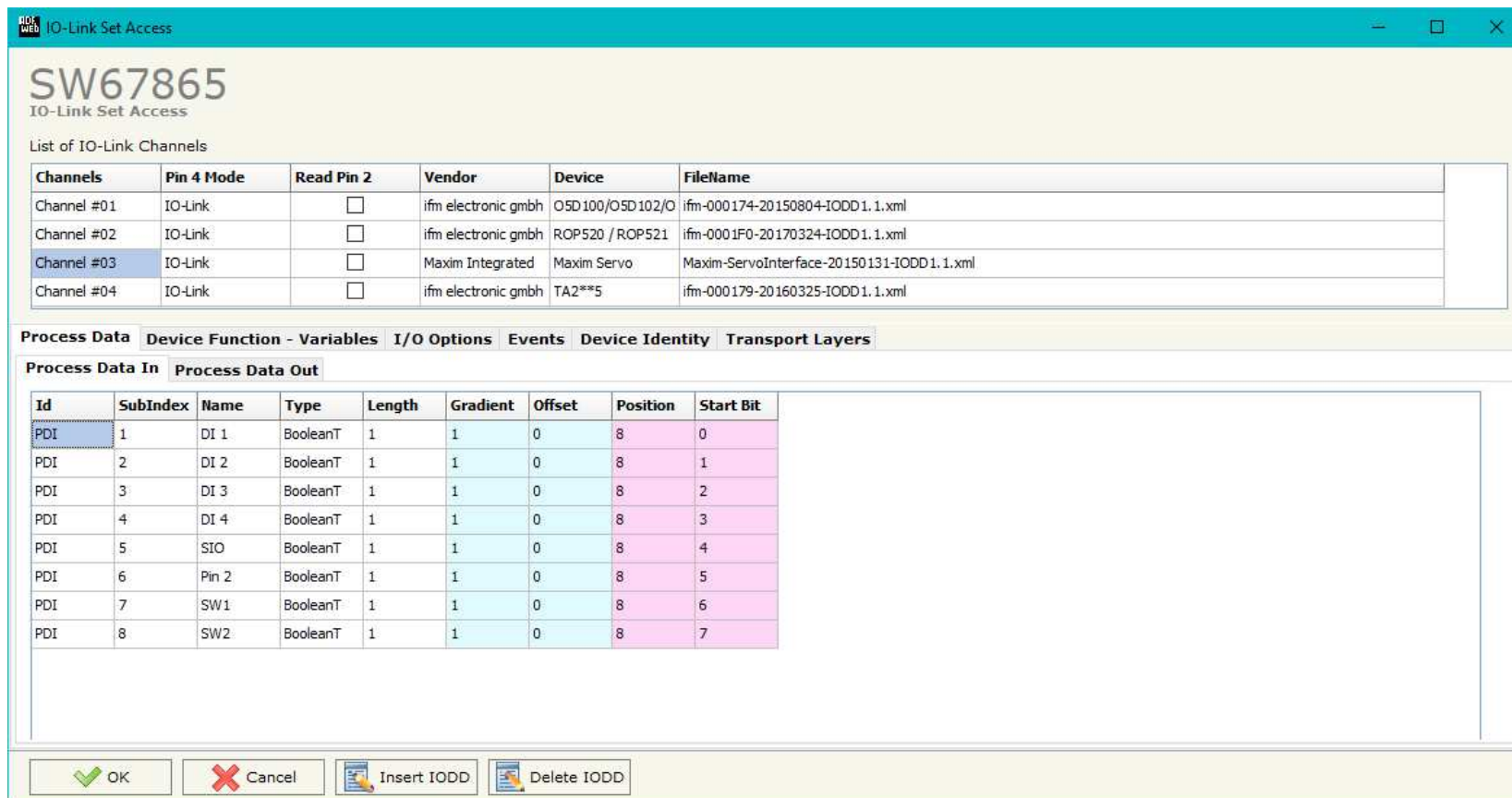


Figure 4: “IO-Link Set Access” window

In the “List of IO-Link Channel” section it is possible to configure all the IO-Link channels of the converter (Fig. 5).

List of IO-Link Channels					
Channels	Pin 4 Mode	Read Pin 2	Vendor	Device	FileName
Channel #01	IO-Link	<input type="checkbox"/>	ifm electronic gmbh	O5D100/O5D102/O	ifm-000174-20150804-IODD1.1.xml
Channel #02	IO-Link	<input type="checkbox"/>	ifm electronic gmbh	ROP520 / ROP521	ifm-0001F0-20170324-IODD1.1.xml
Channel #03	IO-Link	<input type="checkbox"/>	Maxim Integrated	Maxim Servo	Maxim-ServoInterface-20150131-IODD1.1.xml
Channel #04	IO-Link	<input type="checkbox"/>	ifm electronic gmbh	TA2**5	ifm-000179-20160325-IODD1.1.xml

Figure 5: “List of IO-Link Channel” section

The meanings of the fields are:

- In the field “**Channels**” the index of the IO-Link channel is defined;
- In the field “**Pin 4 Mode**” the mode of the pin 4 of the IO-Link device is defined (if “Io-Link” is selected, a file IODD is needed);
- If the field “**Read Pin 2**” is checked, the pin 2 of the IO-Link device is read;
- In the field “**Vendor**” the vendor of the IO-Link device is defined;
- In the field “**Device**” the name of the IO-Link device is defined;
- In the field “**FileName**” the name of the IODD file inserted is defined;

By clicking on **Insert IODD**, the window "IO-Link IODD Catalog" appears (Fig. 6). This section is used to select an IO-Link device. By clicking on **Add IODD** it is possible to add a new IODD file (the extension must be .xml).

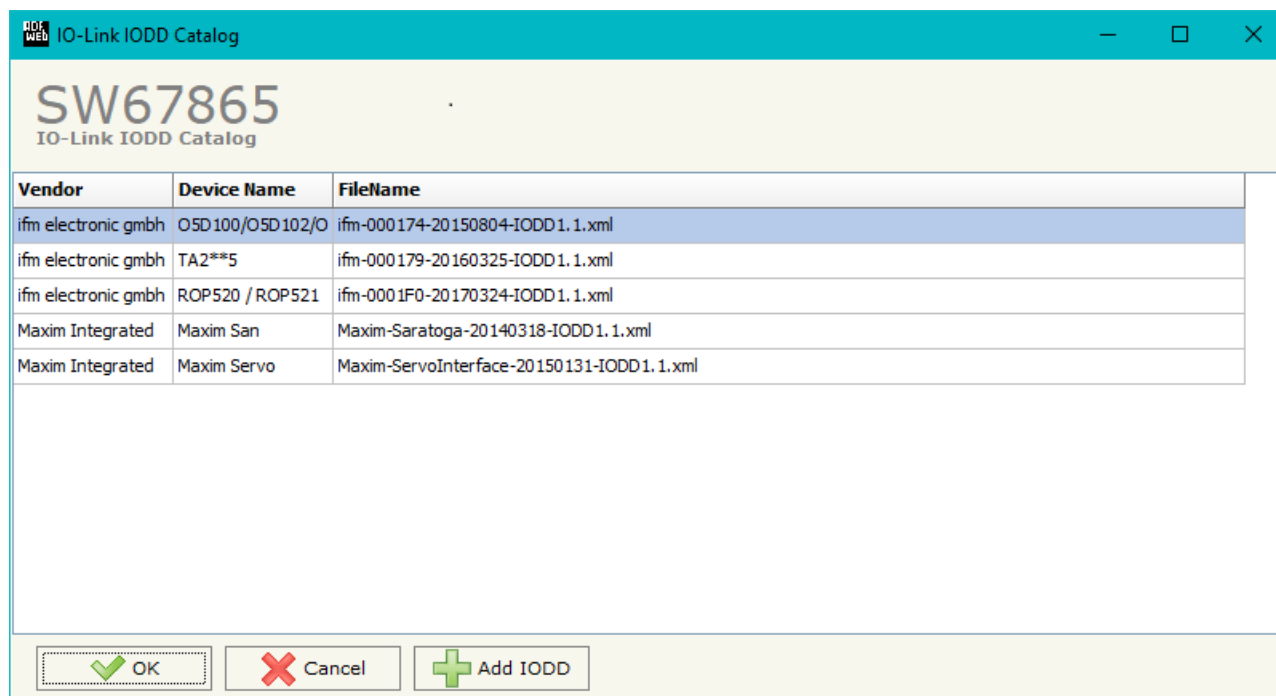


Figure 6: "IO-Link IODD Catalog" section

The "Process Data" section is used to define the IO-Link process data to link to Modbus TCP side (Fig. 7).

Process Data								
Device Function - Variables I/O Options Events Device Identity Transport Layers								
Process Data In					Process Data Out			
Id	SubIndex	Name	Type	Length	Gradient	Offset	Position	Start Bit
PDO	1	Servo 1	IntegerT	8	1	0	0	0
PDO	2	Servo 2	IntegerT	8	1	0	1	0
PDO	3	Servo 3	IntegerT	8	1	0	2	0
PDO	4	Servo 4	IntegerT	8	1	0	3	0

Figure 7: "Process Data" section

The meanings of the fields are:

- In the field "**Id**" the Id of the IO-Link process data is defined;
- In the field "**SubIndex**" the subindex of the IO-Link process data is defined;
- In the field "**Name**" the name of the IO-Link process data is defined;
- In the field "**Type**" the data format of the IO-Link process data is defined;
- In the field "**Length**" the bit length of the IO-Link process data is defined;
- In the field "**Gradient**" the multiplication factor of the IO-Link process data is defined;
- In the field "**Offset**" the offset of the IO-Link process data is defined;
- In the field "**Position**" the starting byte of the internal memory arrays where mapping/getting the value is defined;
- In the field "**Start Bit**" the starting bit of the byte of the field "Position" is defined.

The “Device Function – Variables” section is used to define the IO-Link parameters to link to BACnet side (Fig. 8).

Process Data													
Device Function - Variables													
I/O Options													
Events													
Device Identity													
Transport Layers													
Enable	Index	SubIndex	Id	Name	Type	Access	Length	SindAccSupp	TotBitLen	BitOff	Default	Value	Description
<input type="checkbox"/>	542		V_Operating_Hours	Operating_Hours	UIntegerT	Read Only	16	False	16	0			Operating hours
<input type="checkbox"/>	551		V_uni	uni	UIntegerT	Read Write	8	False	8	0	0		Selection of unit on
<input type="checkbox"/>	552		V_diS	diS	RecordT	Read Write	16	False	16	0			Display settings
<input type="checkbox"/>	552	1	V_diS	Display On / OFF	BooleanT	Read Write	1	False	16	7	false		
<input type="checkbox"/>	552	2	V_diS	Display orientation	BooleanT	Read Write	1	False	16	6	false		
<input type="checkbox"/>	552	3	V_diS	Update rate	UIntegerT	Read Write	6	False	16	0	2		
<input type="checkbox"/>	554		V_coLr	coLr	UIntegerT	Read Write	8	False	8	0	2		Assignment of the
<input type="checkbox"/>	555		V_cFH	cFH	IntegerT	Read Write	16	False	16	0	512		Upper value for
<input type="checkbox"/>	556		V_cFL	cFL	IntegerT	Read Write	16	False	16	0	256		Lower value for
<input type="checkbox"/>	580		V_ou1_rPM	ou1_RPM	UIntegerT	Read Write	8	False	8	0	3		Output
<input type="checkbox"/>	583		V_SP_FH1	SP_FH1	IntegerT	Read Write	16	False	16	0	5000		Switch point 1,
<input type="checkbox"/>	584		V_rP_FL1	rP_FL1	IntegerT	Read Write	16	False	16	0	4000		Reset point 1,

The meanings of the fields are:

- In the field “**Index**” the Index of the IO-Link parameter is defined;
- In the field “**SubIndex**” the Subindex of the IO-Link parameter is defined;
- In the field “**Id**” the Id of the IO-Link parameter is defined;
- In the field “**Name**” the name of the IO-Link parameter is defined;
- In the field “**Type**” the data format of the IO-Link parameter is defined;
- In the field “**Access**” the access type of the IO-Link parameter is defined;
- In the field “**Length**” the bit length of the IO-Link parameter is defined;
- In the field “**SindAccSupp**” the value of subindexAccessSupported attribute of the IO-Link parameter is defined;

Figure 8: “Device Function - Variables” section

- In the field "**TotBitLen**" the bit length of the array to which the IO-Link parameter refers is defined;
- In the field "**BitOff**" the bit offset of the IO-Link parameter is defined;
- In the field "**Default**" the default value of the IO-Link parameter is defined;
- In the field "**Value**" the starting value of the IO-Link parameter is defined;
- In the field "**Description**" a description of the IO-Link parameter is defined.

The "I/O Options" section is used to define how linking the data from IO-Link pin 2 and pin 4 to BACnet side (Fig. 9).


Process Data						Device Function - Variables						I/O Options						Events						Device Identity						Transport Layers					
Name	Access	Position	Start Bit	Invert	Menmonic																														
Pin 2	Read Only	5	0	<input checked="" type="checkbox"/>																															
Pin 4	Write	6	0	<input type="checkbox"/>																															

Figure 9: "I/O Options" section

The meanings of the fields are:

- In the field "**Name**" the name of the IO-Link pin is defined;
- In the field "**Access**" the access of the IO-Link pin is defined;
- In the field "**Position**" the starting byte of the internal memory arrays where mapping/getting the value is defined;
- In the field "**Start Bit**" the starting bit of the byte of the field "Position" is defined.
- If the field "**Invert**" the value to map/get is inverted;
- In the field "**Mnemonic**" a description of the variable is defined.

Note:

 IO-Link pin 2 can only be read and IO-LINK pin 4 can be defined if "Pin 4 Mode" is set to "DIn" or "DOut" in "List of IO-Link Channel" section.

The “Events” section is used to define the IO-LINK events to map on BACnet side (Fig. 10).

Enable	Code	Name	Type	TimeOut	Position	Start Bit	Menmonic
<input checked="" type="checkbox"/>	16928	Device temperature under-run	Warning	2000	3	0	
<input checked="" type="checkbox"/>	36016	nEA	Warning	2000	3	1	
<input checked="" type="checkbox"/>	36017	fAr	Warning	2000	3	2	
<input checked="" type="checkbox"/>	36020	+	Error	2000	3	3	
<input checked="" type="checkbox"/>	36021	-	Error	2000	3	4	
<input checked="" type="checkbox"/>	36004	ErP	Warning	2000	3	5	
<input checked="" type="checkbox"/>	36350	Test Event 1	Warning	2000	3	6	
<input checked="" type="checkbox"/>	36351	Test Event 2	Warning	2000	3	7	

Figure 10: “Events” section

The meanings of the fields are:

- In the field “**Code**” the code of the IO-Link event is defined;
- In the field “**Name**” the name of the IO-Link event is defined;
- In the field “**Type**” the type of the IO-Link event is defined;
- In the field “**TimeOut**” the duration of the IO-Link event after its activation is defined;
- In the field “**Position**” the starting byte of the internal memory arrays where mapping/getting the value is defined;
- In the field “**Start Bit**” the starting bit of the byte of the field “Position” is defined;
- In the field “**Mnemonic**” a description of the variable is defined.

In "Device Identity" section (Fig.11) and "Transport Identity" section (Fig. 12), the main features of the selected IO-Link device are reported. These characteristics are read from the IODD file.

The screenshot shows the 'Transport Layers' section of the software interface. It contains the following data:

- Vendor ID: 310
- Vendor Name: ifm electronic gmbh
- Device ID: 377
- Vendor Text: www.ifm.com
- Vendor URL: http://www.ifm.com/ifmgb/web/io-link-download.htm
- Device Name: TA2**5
- Device Family: TA2

Below this is a 'Device Variant Collection' table:

Product ID	Name	Description
TA2115	TA2115	Temperature transmitter, -50.0...150 °C, Length
TA2135	TA2135	Temperature transmitter, -50.0...150 °C, Length

At the bottom of the window are four buttons: OK, Cancel, Insert IODD, and Delete IODD.

Figure 11: "Transport Layers" section

The screenshot shows the 'Device Identity' section of the software interface. It contains the following data:

- BitRate: COM2
- Min Cycle Time: 2300
- SIO Supported: False
- M Sequence Capability: 17

At the bottom of the window are four buttons: OK, Cancel, Insert IODD, and Delete IODD.

Figure 12: "Device Identity" section

SET BACNET ACCESS:

By Pressing the “**Set BACnet Access**” button from the main window for SW67865 (Fig. 2) the window “BACnet Set Access” appears (Fig. 13).

The window is divided in two parts, the “**BACnet in Read**” that contains the BACnet objects readable by a BACnet Master (IO-Link data read); and “**BACnet in Write**” that contains the BACnet objects writeable by a BACnet Master (IO-Link data written).

The meaning of the fields in the window are the follows:

- In the field “**Data Type**” is possible to select the BACnet object data type;
- In the field “**Eng. Unit**”, with double click the window “*Select the BACnet Engineering Unit*” appears (Fig. 6);
- In the field “**Position**” is possible to select the position where take/save the data from internal memory array;
- The field “**Start Bit**” is used for the “Binary In” and “Binary Out” BACnet objects;
- The field “**Length**” is used for all the others BACnet objects;
- In the field “**Mnemonic**” a description of the object is defined.

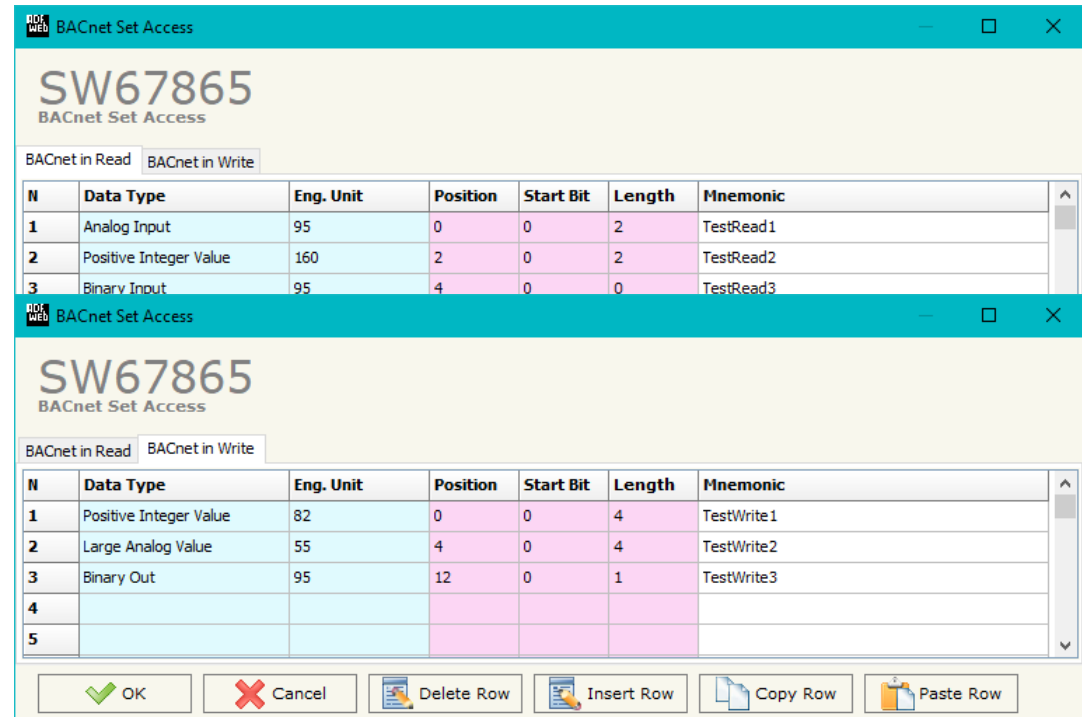
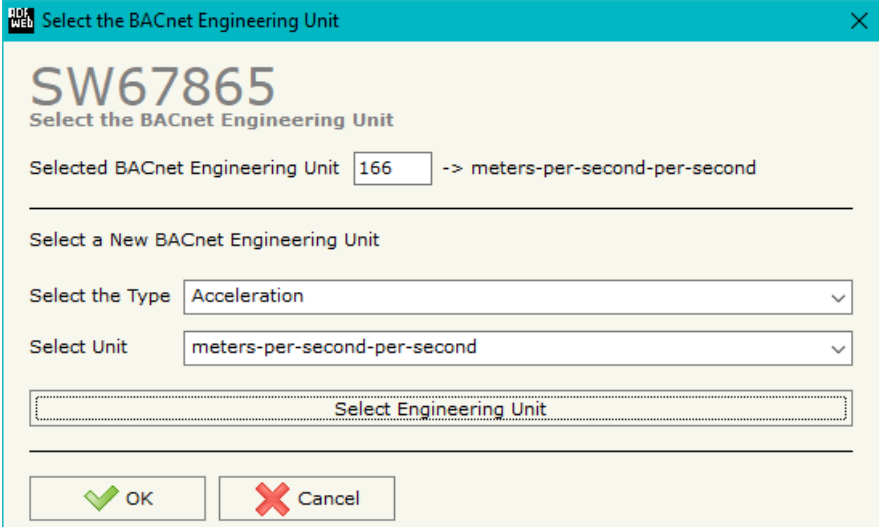


Figure 13: “BACnet Set Access” window

Is possible to insert directly the Unit (using its unique number) by compiling the "**Selected BACnet Engineering Unit**" field; or by selecting with the fields "**Select the Type**" and "**Select unit**" the Type/Unit desired. If the second way is used, is necessary to press the "**Select Engineering Unit**" button for confirm the choice.



The screenshot shows a web-based dialog box titled "Select the BACnet Engineering Unit" with a window ID of "SW67865". The dialog contains the following elements:

- A header section with the title and window ID.
- A field labeled "Selected BACnet Engineering Unit" containing the value "166", followed by a right-pointing arrow and the text "meters-per-second-per-second".
- A section titled "Select a New BACnet Engineering Unit" containing two dropdown menus:
 - "Select the Type" with the value "Acceleration".
 - "Select Unit" with the value "meters-per-second-per-second".
- A button labeled "Select Engineering Unit" with a dashed border.
- At the bottom, two buttons: "OK" with a green checkmark icon and "Cancel" with a red X icon.

Figure 14: "Select the BACnet Engineering Unit"

BACNET EDE FILE:

By pressing the "**BACnet EDE File**" button it is possible to save the EDE file for the BACnet Master.

UPDATE DEVICE:

By pressing the **“Update Device”** button, it is possible to load the created Configuration into the device; and also the Firmware, if necessary. This by using the Ethernet port.

If you don't know the actual IP address of the device, you have to use this procedure:

- Turn OFF the Device;
- Put Dip1 of 'Dip-Switch A' in ON position;
- Turn ON the device
- Connect the Ethernet cable;
- Insert the IP **“192.168.2.205”**;
- Select which operations you want to do;
- Press the **“Execute update firmware”** button to start the upload;
- When all the operations are “OK” turn OFF the Device;
- Put Dip1 of 'Dip-Switch A' in OFF position;
- Turn ON the device.

If you know the actual IP address of the device, you have to use this procedure:

- Turn ON the Device with the Ethernet cable inserted;
- Insert the actual IP of the Converter;
- Select which operations you want to do;
- Press the **“Execute update firmware”** button to start the upload;
- When all the operations are “OK” the device automatically goes at Normal Mode.

At this point the configuration/firmware on the device is correctly updated.

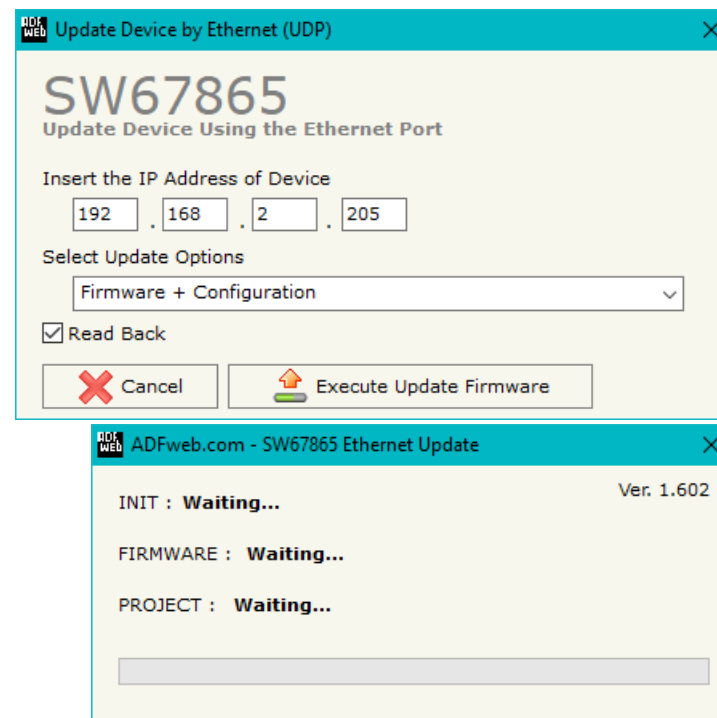


Figure 15: “Update device” windows



Note:

When you receive the device, for the first time, you also have to update the Firmware in the HD67865 device.



Warning:

If Fig. 16 appears when you try to do the Update try these points before seeking assistance:

- ➔ Try to repeat the operations for the updating;
- ➔ Try with another PC;
- ➔ Try to restart the PC;
- ➔ Check the LAN settings;
- ➔ If you are using the program inside a Virtual Machine, try to use in the main Operating System;
- ➔ If you are using Windows Seven, Vista, 8 or 10 make sure that you have the administrator privileges;
- ➔ In case you have to program more than one device, using the "UDP Update", you have to cancel the ARP table every time you connect a new device on Ethernet. For do this you have to launch the "Command Prompt" and write the command "arp -d". Pay attention that with Windows Vista, Seven, 8, 10 you have to launch the "Command Prompt" with Administrator Rights;
- ➔ Pay attention at Firewall lock.

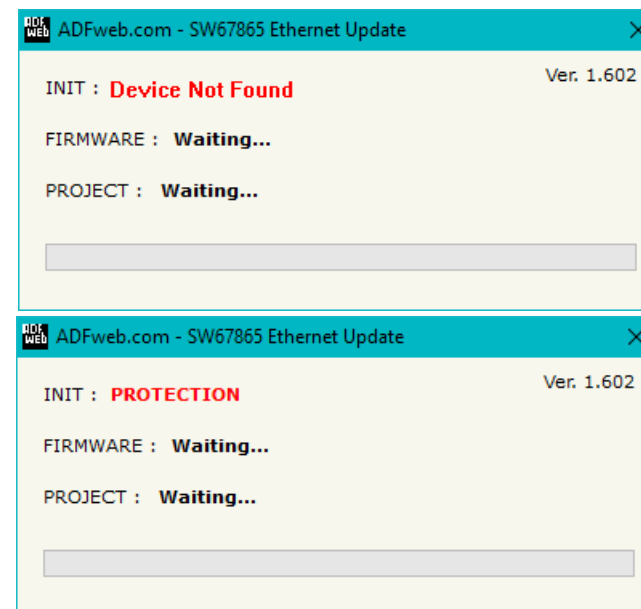


Figure 16: "Error" window



Warning:

In the case of HD67865 you have to use the software "SW67865": www.adfweb.com/download/filefold/SW67865.zip.

MECHANICAL DIMENSIONS:

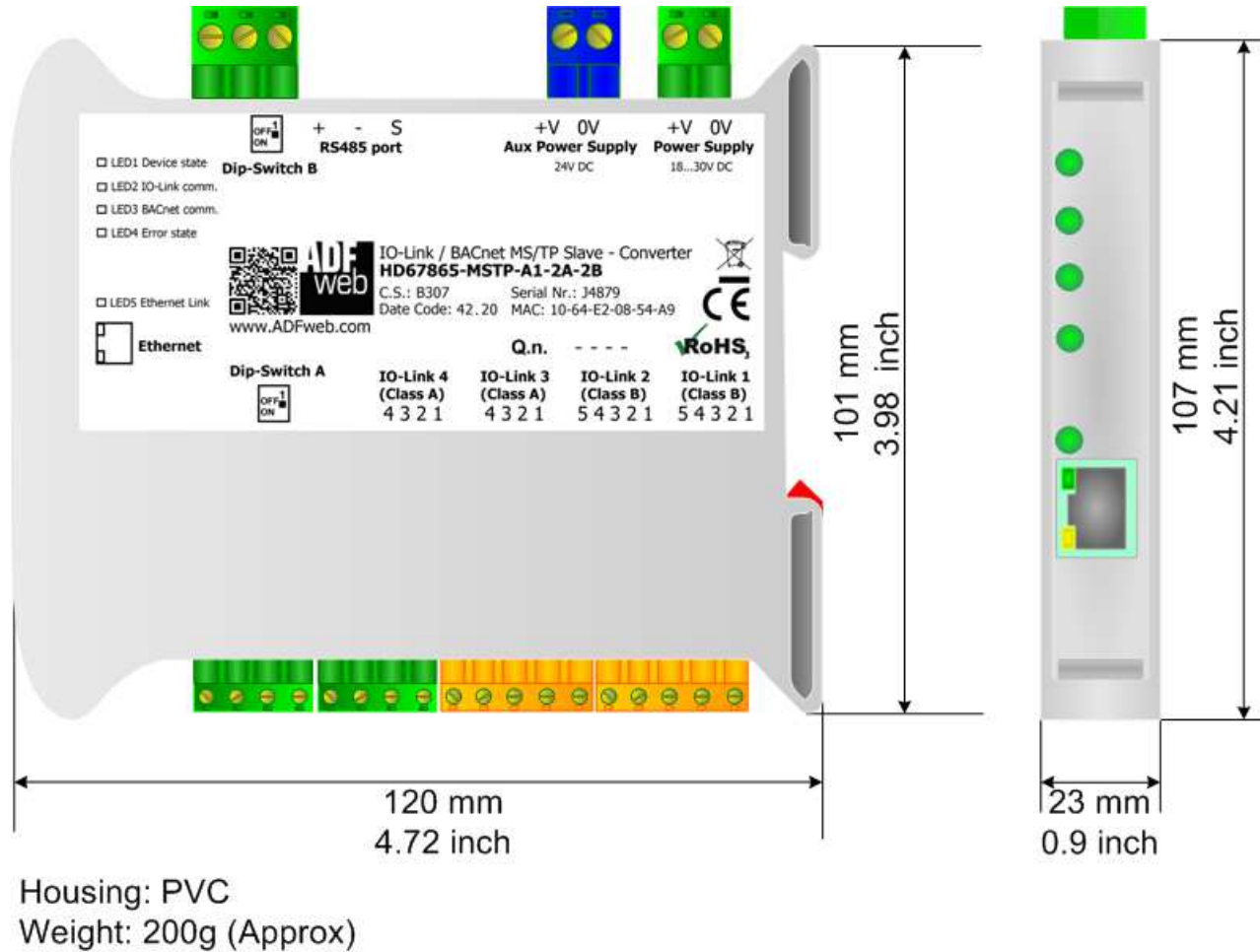
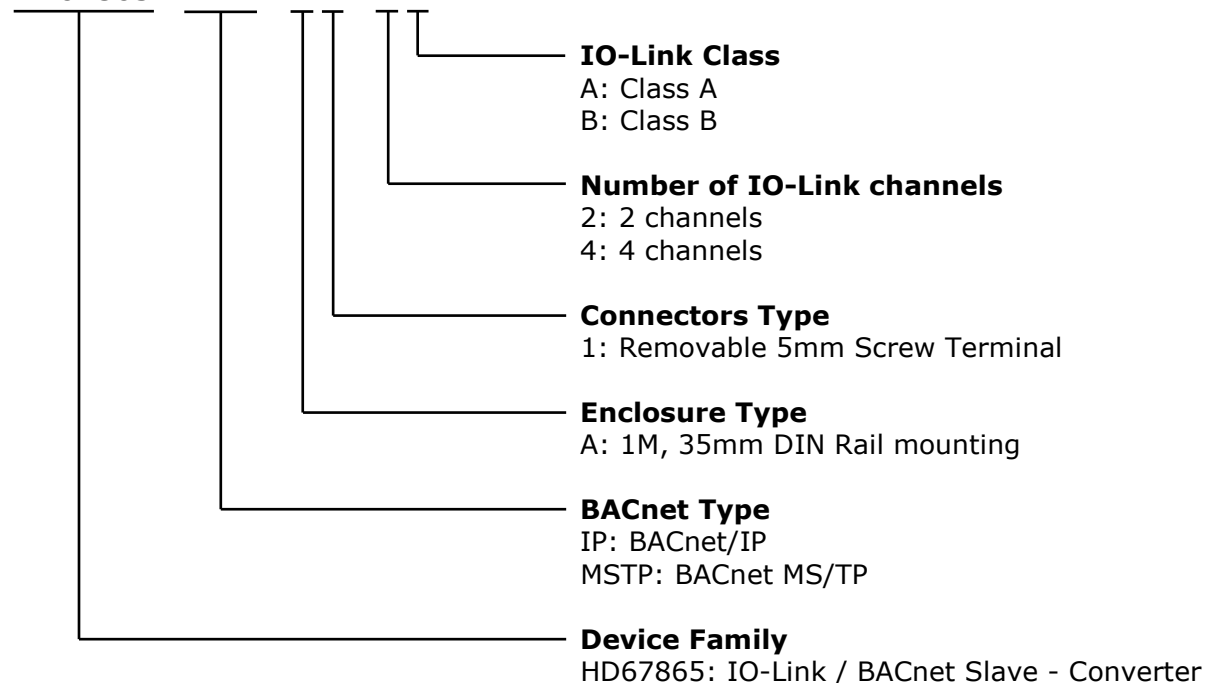


Figure 17: Mechanical dimensions scheme for HD67865-xxx-A1-xx

ORDERING INFORMATIONS:

The ordering part number is formed by a valid combination of the following:

HD67865 - xxxx - A 1 - x x



- | | | |
|--|---|--|
| Order Code: HD67865-IP-A1-2A | - | IO-Link / BACnet/IP Slave – Converter (IO-Link ports: 2 x Class A) |
| Order Code: HD67865-IP-A1-4A | - | IO-Link / BACnet/IP Slave – Converter (IO-Link ports: 4 x Class A) |
| Order Code: HD67865-IP-A1-2B | - | IO-Link / BACnet/IP Slave – Converter (IO-Link ports: 2 x Class B) |
| Order Code: HD67865-IP-A1-2A-2B | - | IO-Link / BACnet/IP Slave – Converter (IO-Link ports: 2 x Class A and 2 x Class B) |
| Order Code: HD67865-MSTP-A1-2A | - | IO-Link / BACnet MS/TP Slave – Converter (IO-Link ports: 2 x Class A) |
| Order Code: HD67865-MSTP-A1-4A | - | IO-Link / BACnet MS/TP Slave – Converter (IO-Link ports: 4 x Class A) |
| Order Code: HD67865-MSTP-A1-2B | - | IO-Link / BACnet MS/TP Slave – Converter (IO-Link ports: 2 x Class B) |
| Order Code: HD67865-MSTP-A1-2A-2B | - | IO-Link / BACnet MS/TP Slave – Converter (IO-Link ports: 2 x Class A, 2 x Class B) |



ACCESSORIES:

- Order Code: **AC34011** - Rail DIN - Power Supply 220/240V AC 50/60Hz – 12 V DC
- Order Code: **AC34012** - Rail DIN - Power Supply 220/240V AC 50/60Hz – 24 V DC

DISCLAIMER:

All technical content within this document can be modified without notice. The content of the document is a under continual renewal. For losses due to fire, earthquake, third party access or other accidents, or intentional or accidental abuse, misuse, or use under abnormal conditions repairs are charged to the user. ADFweb.com S.r.l. will not be liable for accidental loss of use or inability to use this product, such as loss of business income. ADFweb.com S.r.l. shall not be liable for consequences of improper use.

OTHER REGULATIONS AND STANDARDS:**WEEE INFORMATION**

Disposal of old electrical and electronic equipment (as in the European Union and other European countries with separate collection systems).

— This symbol on the product or on its packaging indicates that this product may not be treated as household rubbish. Instead, it should be taken to an applicable collection point for the recycling of electrical and electronic equipment. If the product is disposed correctly, you will help prevent potential negative environmental factors and impact of human health, which could otherwise be caused by inappropriate disposal. The recycling of materials will help to conserve natural resources. For more information about recycling this product, please contact your local city office, your household waste disposal service or the shop where you purchased the product.

RESTRICTION OF HAZARDOUS SUBSTANCES DIRECTIVE

The device respects the 2002/95/EC Directive on the restriction of the use of certain hazardous substances in electrical and electronic equipment (commonly referred to as Restriction of Hazardous Substances Directive or RoHS).

CE MARKING

The product conforms with the essential requirements of the applicable EC directives.

WARRANTIES AND TECHNICAL SUPPORT:

For fast and easy technical support for your ADFweb.com SRL products, consult our internet support at www.adfweb.com. Otherwise contact us at the address support@adfweb.com

RETURN POLICY:

If while using your product you have any problem and you wish to exchange or repair it, please do the following:

- Obtain a Product Return Number (PRN) from our internet support at www.adfweb.com. Together with the request, you need to provide detailed information about the problem.
- Send the product to the address provided with the PRN, having prepaid the shipping costs (shipment costs billed to us will not be accepted).

If the product is within the warranty of twelve months, it will be repaired or exchanged and returned within three weeks. If the product is no longer under warranty, you will receive a repair estimate.



ADFweb.com S.r.l.
 Via Strada Nuova, 17
 IT-31010 Mareno di Piave
 TREVISO (Italy)
 Phone +39.0438.30.91.31
 Fax +39.0438.49.20.99
www.adfweb.com

